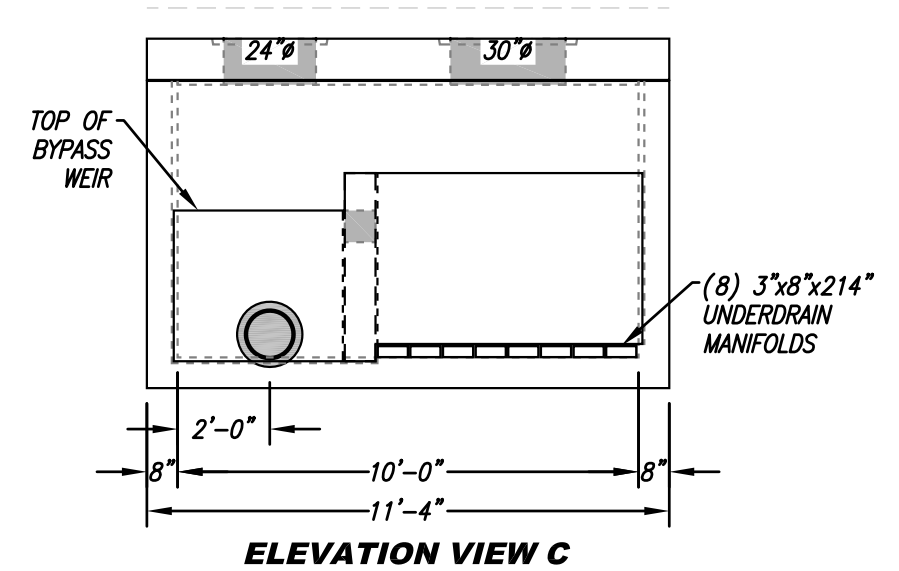
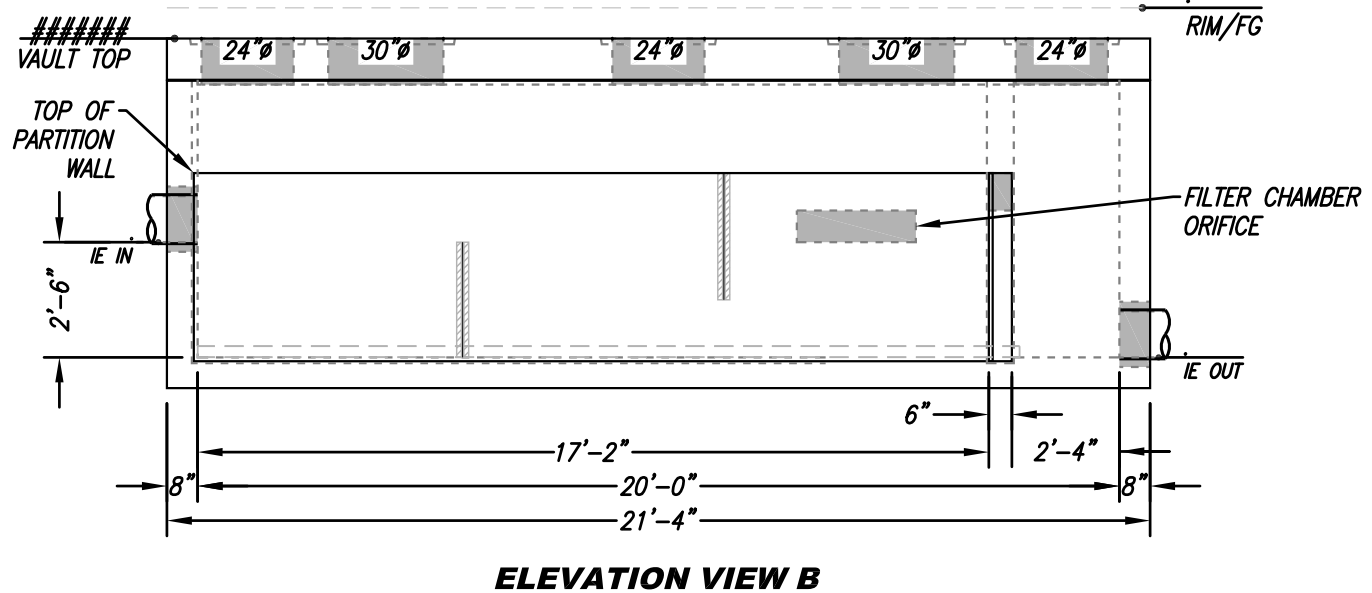
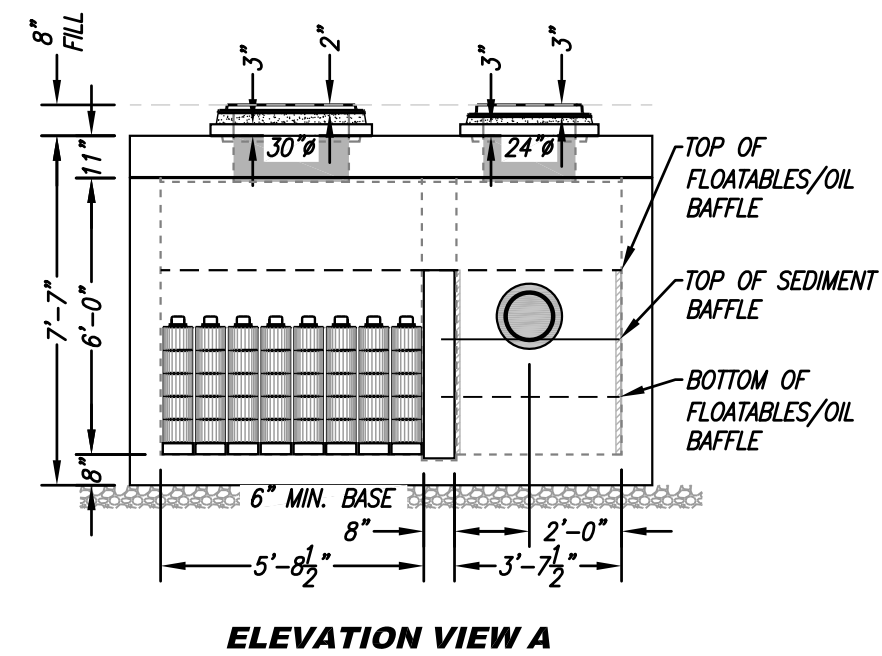
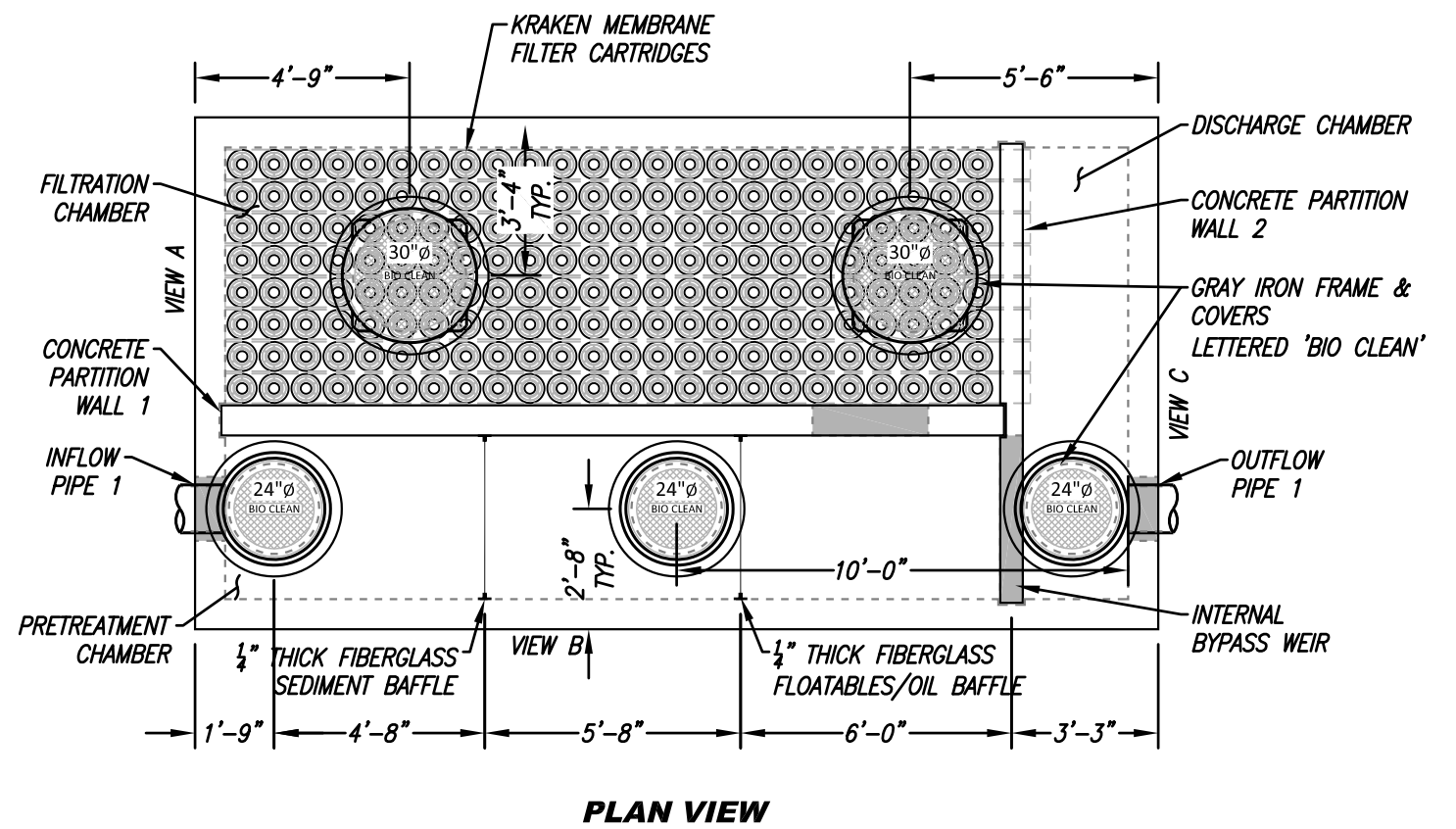


SITE SPECIFIC DATA*				
PROJECT NUMBER				
PROJECT NAME				
PROJECT LOCATION				
STRUCTURE ID	KF-10-20			
WATER QUALITY FLOW RATE (CFS)				
PEAK FLOW RATE (CFS)				
PEAK STORM DURATION (YEARS)				
PIPE DATA	I.E.	MATERIAL	DIAMETER	
INFLOW PIPE 1	.	TBD	12	
OUTFLOW PIPE 1	.	TBD	12	
RIM ELEVATION				
SURFACE LOADING REQUIREMENT	HS20			
FRAME AND COVER	(3) $\phi 24"$; (2) $\phi 30"$			
CORROSIVE SOIL CONDITIONS	NA			
KNOWN GROUNDWATER ELEVATION	NA			
NOTES:				
*PER ENGINEER OF RECORD				
KRAKEN FILTER PERFORMANCE DATA				
CARTRIDGE HEIGHT (IN)	30.75			
CARTRIDGE FLOW RATE (GPM)	8.50			
NUMBER OF CARTRIDGES	192			
TOTAL TREATMENT FLOW RATE (CFS)	3.64			
SEDIMENT STORAGE CAPACITY (CF)	71.17			

- INSTALLATION NOTES**
- CONTRACTOR TO PROVIDE ALL LABOR, EQUIPMENT, MATERIALS, AND INCIDENTALS REQUIRED TO OFFLOAD AND INSTALL THE KRAKEN FILTER UNIT AND APPURTENANCES IN ACCORDANCE WITH THIS DRAWING AND THE MANUFACTURER'S SPECIFICATIONS, UNLESS OTHERWISE STATED IN MANUFACTURER'S CONTRACT.
 - MANUFACTURER RECOMMENDS A 6" LEVEL ROCK BASE UNLESS SPECIFIED BY THE PROJECT ENGINEER. CONTRACTOR IS RESPONSIBLE FOR VERIFYING PROJECT ENGINEER'S RECOMMENDED BASE SPECIFICATIONS.
 - ALL PIPES MUST BE FLUSH WITH INSIDE SURFACE OF CONCRETE (PIPES CANNOT INTRUDE BEYOND FLUSH).
 - ALL GAPS AROUND PIPES SHALL BE SEALED WATERTIGHT WITH A NON-SHRINK GROUT PER MANUFACTURER'S STANDARD CONNECTION DETAIL AND SHALL MEET OR EXCEED REGIONAL PIPE CONNECTION STANDARDS.
 - CONTRACTOR RESPONSIBLE FOR INSTALLATION OF ALL PIPES, RISERS, AND MANHOLES. ALL COVERS SHALL BE SHIPPED LOOSE. CONTRACTOR TO GROUT ALL MANHOLES TO MATCH FINISHED SURFACE UNLESS SPECIFIED OTHERWISE.



- GENERAL NOTES**
- BIO CLEAN TO PROVIDE ALL MATERIALS UNLESS OTHERWISE NOTED.
 - ALL DIMENSIONS, ELEVATIONS, SPECIFICATIONS, AND CAPACITIES ARE SUBJECT TO CHANGE. FOR PROJECT SPECIFIC DRAWINGS DETAILING EXACT DIMENSIONS, WEIGHTS, AND ACCESSORIES PLEASE CONTACT BIO CLEAN.

THIS PRODUCT MAY BE PROTECTED BY ONE OR MORE OF THE FOLLOWING US PATENTS: 10,369,496; 9,604,160; 10,145,765; RELATED FOREIGN PATENTS OR OTHER PATENTS PENDING

PROPRIETARY AND CONFIDENTIAL:
THE INFORMATION CONTAINED IN THIS DOCUMENT IS THE SOLE PROPERTY OF FORTERRA AND ITS COMPANIES. THIS DOCUMENT, NOR ANY PART THEREOF, MAY BE USED, REPRODUCED OR MODIFIED IN ANY MANNER WITHOUT THE WRITTEN CONSENT OF FORTERRA.

A Forterra Company

KRAKEN KF-10-20-72
MEMBRANE FILTRATION SYSTEM WITH PRETREATMENT
STANDARD DETAIL

7/8/21 SSERTICH
1:40 SCALE