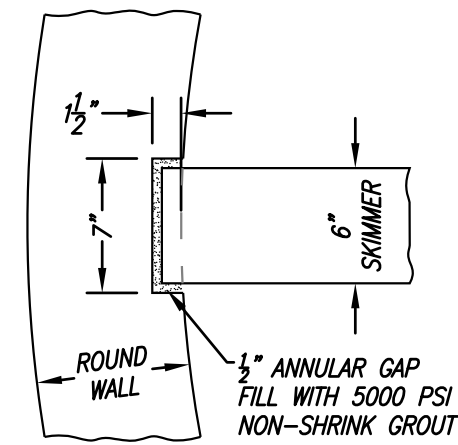
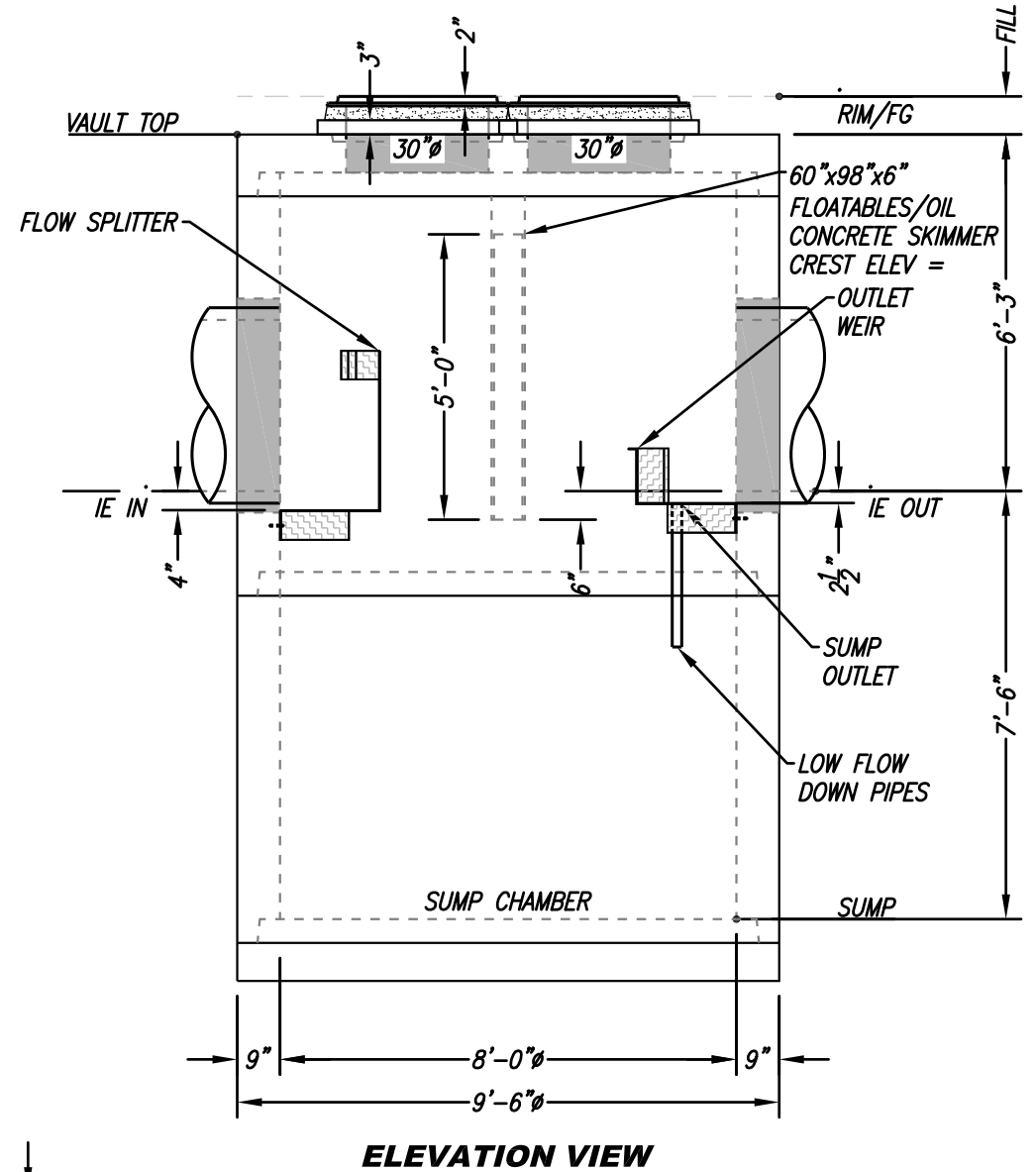
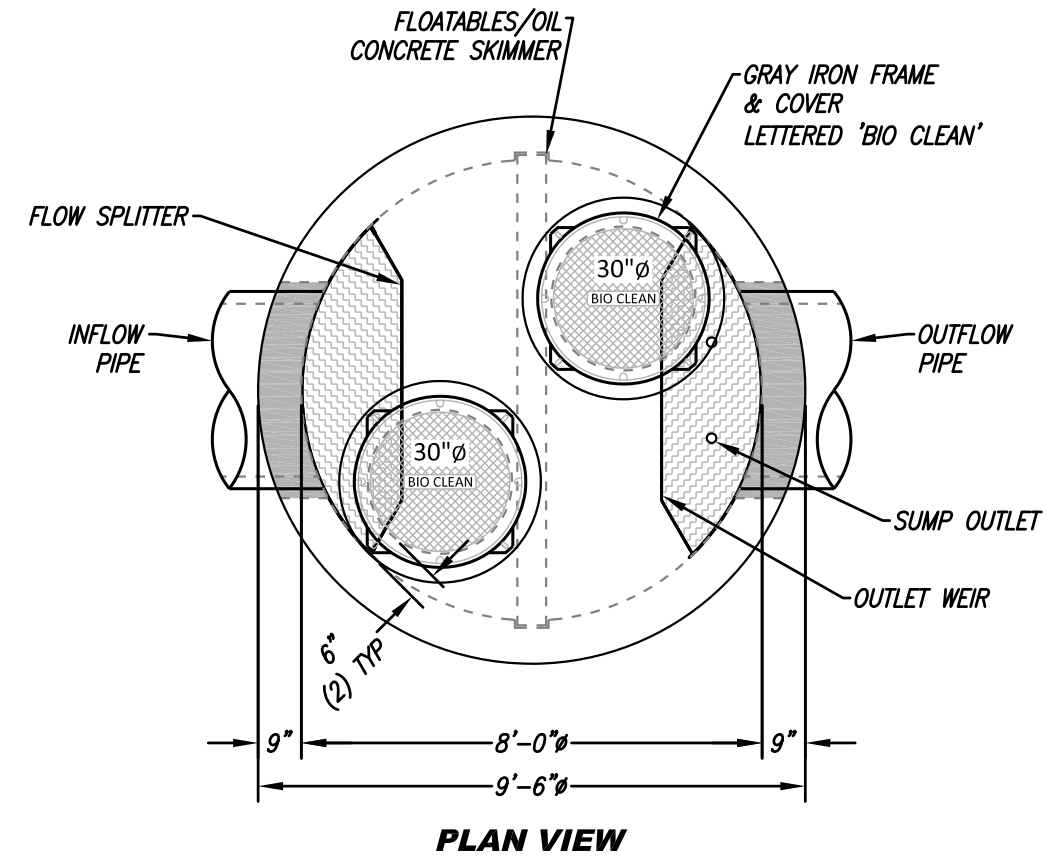


| SITE SPECIFIC DATA* | | | |
|--|----------------|-------------|------------|
| PROJECT NUMBER | | | |
| PROJECT NAME | | | |
| PROJECT LOCATION | | | |
| STRUCTURE ID | SCX-08 | | |
| WATER QUALITY FLOW RATE (CFS) | 7.27 | | |
| PEAK FLOW RATE (CFS) | | | |
| PEAK STORM DURATION (YEARS) | | | |
| PIPE DATA | I.E. | MATERIAL | DIAMETER |
| INFLOW PIPE 1 | . | . | . |
| OUTFLOW PIPE 1 | . | . | . |
| RIM ELEVATION | | | |
| SUMP ELEVATION | | | |
| SURFACE LOADING REQUIREMENT | HS20 | | |
| FRAME AND COVER | (2) ϕ 30" | | |
| SKIMMER WALL HEIGHT | STANDARD | | |
| KNOWN GROUNDWATER ELEVATION | NA | | |
| NOTES: CONCEPT ONLY. NOT FOR CONSTRUCTION. | | | |
| *PER ENGINEER OF RECORD | | | |
| PERFORMANCE DATA | | | |
| TREATMENT FLOW RATE (CFS) | 7.27 | | |
| TSS REMOVAL EFFICIENCY | 50% | | |
| HYDRAULIC GRADE LINE | | | |
| SUMP CHAMBER CAPACITY | | | |
| DIAMETER (FT) | AREA (SF) | HEIGHT (FT) | TOTAL (CF) |
| 8 | 50.24 | 7.50 | 376.8 |

INSTALLATION NOTES

1. CONTRACTOR TO PROVIDE ALL LABOR, EQUIPMENT, MATERIALS, AND INCIDENTALS REQUIRED TO OFFLOAD AND INSTALL THE SCICLONEX UNIT AND APPURTENANCES IN ACCORDANCE WITH THIS DRAWING AND THE MANUFACTURER'S SPECIFICATIONS, UNLESS OTHERWISE STATED IN MANUFACTURER'S CONTRACT.
2. MANUFACTURER RECOMMENDS A 6" LEVEL ROCK BASE UNLESS SPECIFIED BY THE PROJECT ENGINEER. CONTRACTOR IS RESPONSIBLE FOR VERIFYING PROJECT ENGINEER'S RECOMMENDED BASE SPECIFICATIONS.
3. ALL PIPES MUST BE FLUSH WITH INSIDE SURFACE OF CONCRETE (PIPES CANNOT INTRUDE BEYOND FLUSH).
4. ALL GAPS AROUND PIPES SHALL BE SEALED WATERTIGHT WITH A NON-SHRINK GROUT PER MANUFACTURER'S STANDARD CONNECTION DETAIL AND SHALL MEET OR EXCEED REGIONAL PIPE CONNECTION STANDARDS.
5. CONTRACTOR RESPONSIBLE FOR INSTALLATION OF ALL RISERS AND MANHOLES. ALL COVERS SHALL BE SHIPPED LOOSE. CONTRACTOR TO GROUT ALL MANHOLES TO MATCH FINISHED SURFACE UNLESS SPECIFIED OTHERWISE.

1:40 SCALE



CONCRETE SKIMMER TO ROUND WALL CONNECTION
1:10 SCALE

GENERAL NOTES

1. BIO CLEAN TO PROVIDE ALL MATERIALS UNLESS OTHERWISE NOTED.
2. ALL DIMENSIONS, ELEVATIONS, SPECIFICATIONS, AND CAPACITIES ARE SUBJECT TO CHANGE. FOR PROJECT SPECIFIC DRAWINGS DETAILING EXACT DIMENSIONS, WEIGHTS, AND ACCESSORIES PLEASE CONTACT BIO CLEAN.

THIS PRODUCT MAY BE PROTECTED BY ONE OR MORE OF THE FOLLOWING US PATENTS: 15,700,149; 10,344,466; B-00320. RELATED FOREIGN PATENTS OR OTHER PATENTS PENDING.

PROPRIETARY AND CONFIDENTIAL:
THE INFORMATION CONTAINED IN THIS DOCUMENT IS THE SOLE PROPERTY OF FORTERRA AND ITS COMPANIES. THIS DOCUMENT, NOR ANY PART THEREOF, MAY BE USED, REPRODUCED OR MODIFIED IN ANY MANNER WITHOUT THE WRITTEN CONSENT OF FORTERRA.



SCICLONEX SCX-08
HYDRODYNAMIC SEPARATOR
STANDARD DETAIL

4/21/21SSERTICH