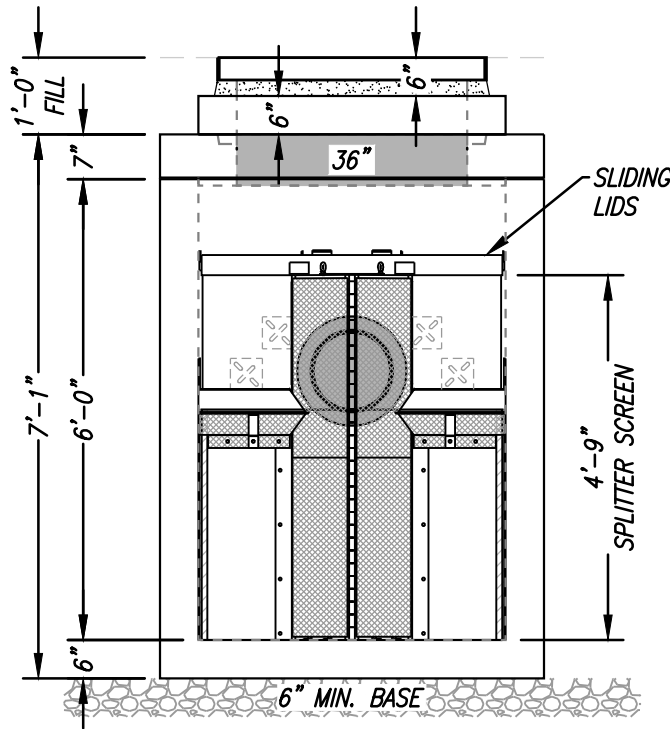
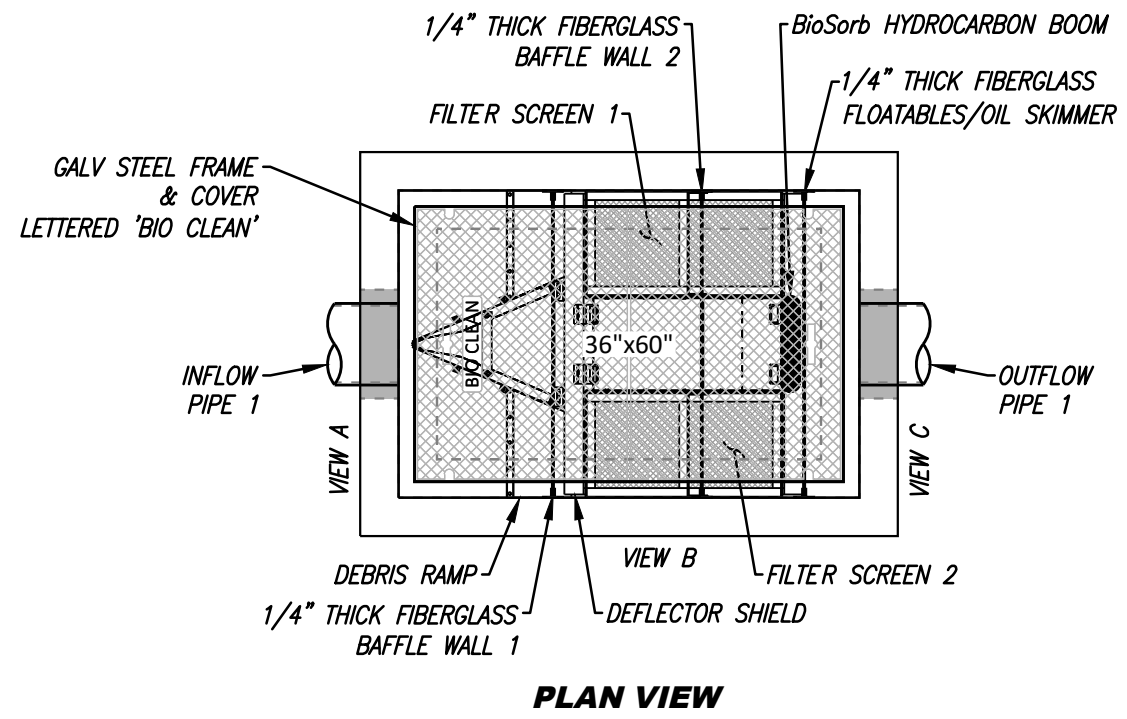
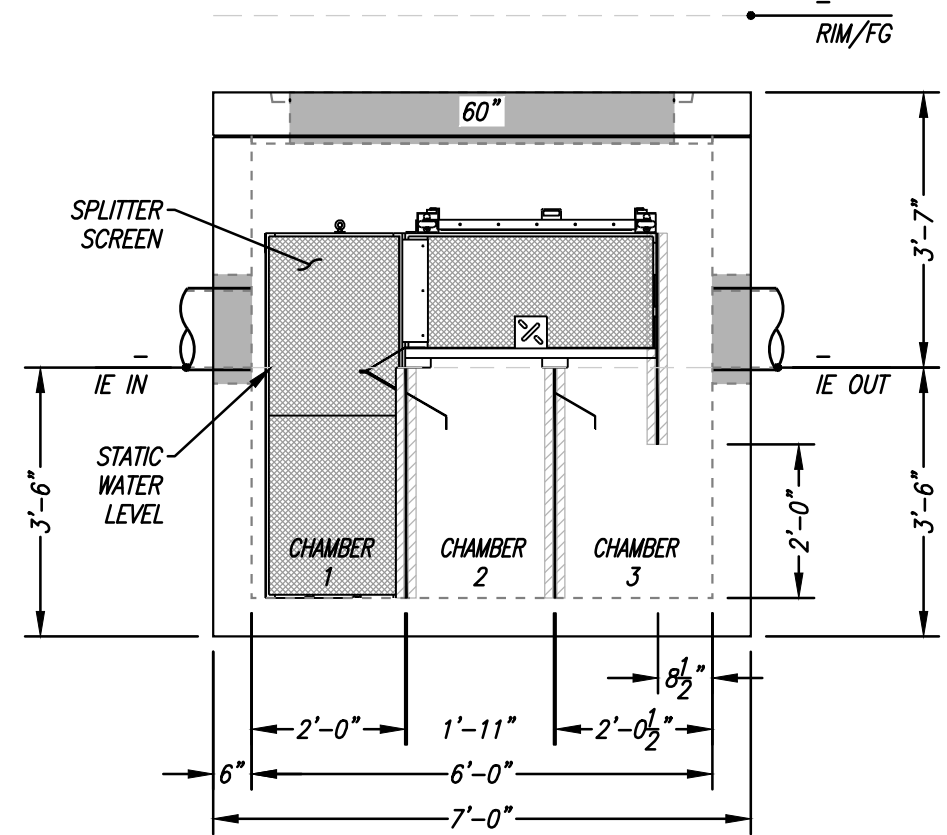


SITE SPECIFIC DATA*			
PROJECT NUMBER	-		
PROJECT NAME	-		
PROJECT LOCATION	-		
STRUCTURE ID	-		
WATER QUALITY FLOW RATE (CFS)			
FULL CAPTURE TRASH FLOW RATE (CFS)			
PEAK FLOW RATE (CFS)			
PEAK STORM DURATION (YEARS)			
PIPE DATA	I.E.	MATERIAL	DIAMETER
INFLOW PIPE 1	-	TBD	12
OUTFLOW PIPE 1	-	TBD	12
RIM ELEVATION	-		
SURFACE LOADING REQUIREMENT	HS20		
FRAME AND COVER	(1) 36"x60"		
CORROSIVE SOIL CONDITIONS	NA		
KNOWN GROUNDWATER ELEVATION	NA		
NOTES:			
*PER ENGINEER OF RECORD			

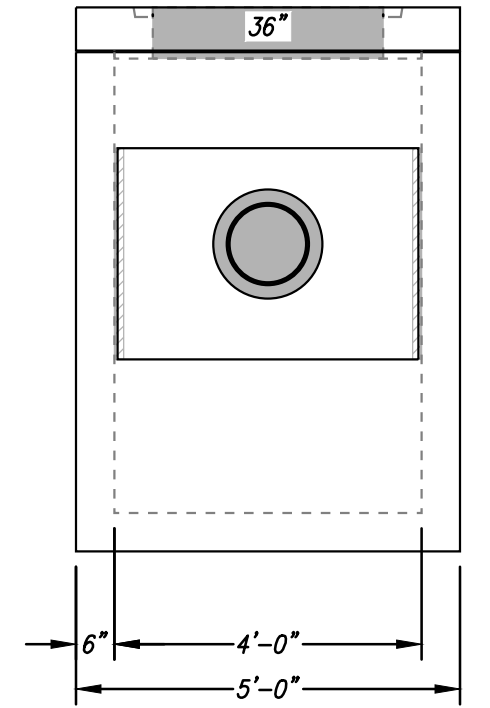
DSBB PERFORMANCE DATA				
TREATMENT FLOW RATE (CFS)	0.00			
FULL CAPTURE TRASH FLOW RATE (CFS)	0.00			
SETTLING AREA (SF)	24.00			
LOADING RATE (GPM/SF)	0.00			
SCREEN SYSTEM STORAGE CAPACITY (CF)	12.26			
SEDIMENT STORAGE CAPACITY (CF)	71.50			
80% TSS REMOVAL @ --- MICRON				
DSBB STORAGE CAPACITIES				
CAGE SCREEN CAPACITY				
	LENGTH (FT)	WIDTH (FT)	HEIGHT (FT)	TOTAL (CF)
SCREEN 1	3.27	1.25	1.50	6.13
SCREEN 2	3.27	1.25	1.50	6.13
SEDIMENT CHAMBER CAPACITY				
CHAMBER 1	2.00	4.00	3.00	24.00
CHAMBER 2	1.92	4.00	3.00	23.00
CHAMBER 3	2.04	4.00	3.00	24.50



**INLET  
ELEVATION VIEW A**



**ELEVATION VIEW B**



**OUTLET  
ELEVATION VIEW C**

**GENERAL NOTES**

- BIO CLEAN TO PROVIDE ALL MATERIALS UNLESS OTHERWISE NOTED.
- ALL DIMENSIONS, ELEVATIONS, SPECIFICATIONS, AND CAPACITIES ARE SUBJECT TO CHANGE. FOR PROJECT SPECIFIC DRAWINGS DETAILING EXACT DIMENSIONS, WEIGHTS, AND ACCESSORIES PLEASE CONTACT BIO CLEAN.

**INSTALLATION NOTES**

- CONTRACTOR TO PROVIDE ALL LABOR, EQUIPMENT, MATERIALS, AND INCIDENTALS REQUIRED TO OFFLOAD AND INSTALL THE DEBRIS SEPARATING BAFFLE BOX AND APPURTENANCES IN ACCORDANCE WITH THIS DRAWING AND THE MANUFACTURER'S SPECIFICATIONS, UNLESS OTHERWISE STATED IN MANUFACTURER'S CONTRACT.
- MANUFACTURER RECOMMENDS A 6" LEVEL ROCK BASE UNLESS SPECIFIED BY THE PROJECT ENGINEER. CONTRACTOR IS RESPONSIBLE FOR VERIFYING PROJECT ENGINEER'S RECOMMENDED BASE SPECIFICATIONS.
- ALL PIPES MUST BE FLUSH WITH INSIDE SURFACE OF CONCRETE. (PIPES CANNOT INTRUDE BEYOND FLUSH).
- ALL GAPS AROUND PIPES SHALL BE SEALED WATERTIGHT WITH A NON-SHRINK GROUT PER MANUFACTURER'S STANDARD CONNECTION DETAIL AND SHALL MEET OR EXCEED REGIONAL PIPE CONNECTION STANDARDS.
- CONTRACTOR RESPONSIBLE FOR INSTALLATION OF ALL PIPES, RISERS AND COVERS. ALL COVERS SHALL BE SHIPPED LOOSE. CONTRACTOR TO GROUT ALL MANHOLES AND COVERS TO MATCH FINISHED SURFACE UNLESS SPECIFIED OTHERWISE.

THIS PRODUCT MAY BE PROTECTED BY ONE OR MORE OF THE FOLLOWING US PATENTS: 6,428,692; 7,294,256; 7,846,327; 7,153,417; 7,270,747. RELATED FOREIGN PATENTS OR OTHER PATENTS PENDING

PROPRIETARY AND CONFIDENTIAL:  
THE INFORMATION CONTAINED IN THIS DOCUMENT IS THE SOLE PROPERTY OF FORTERRA AND ITS COMPANIES. THIS DOCUMENT, NOR ANY PART THEREOF, MAY BE USED, REPRODUCED OR MODIFIED IN ANY MANNER WITH OUT THE WRITTEN CONSENT OF FORTERRA.



**DSBB-4-6-72**  
DUAL STAGE HYDRODYNAMIC SEPARATOR  
STANDARD DETAIL

11/2/2019 RARDI

1:30 SCALE