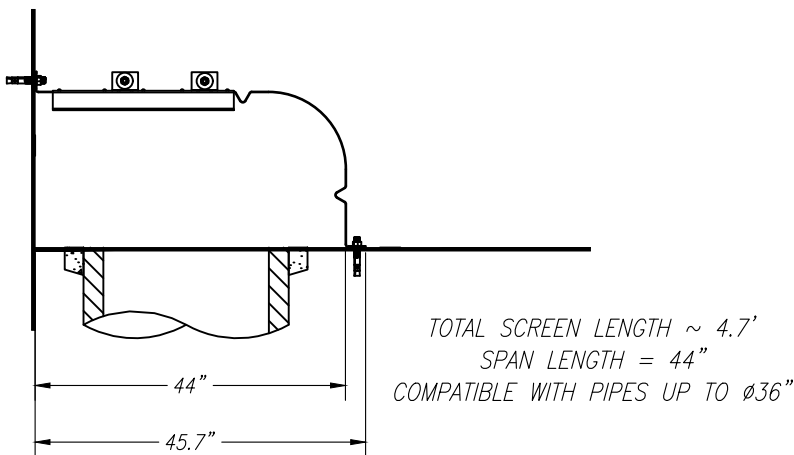
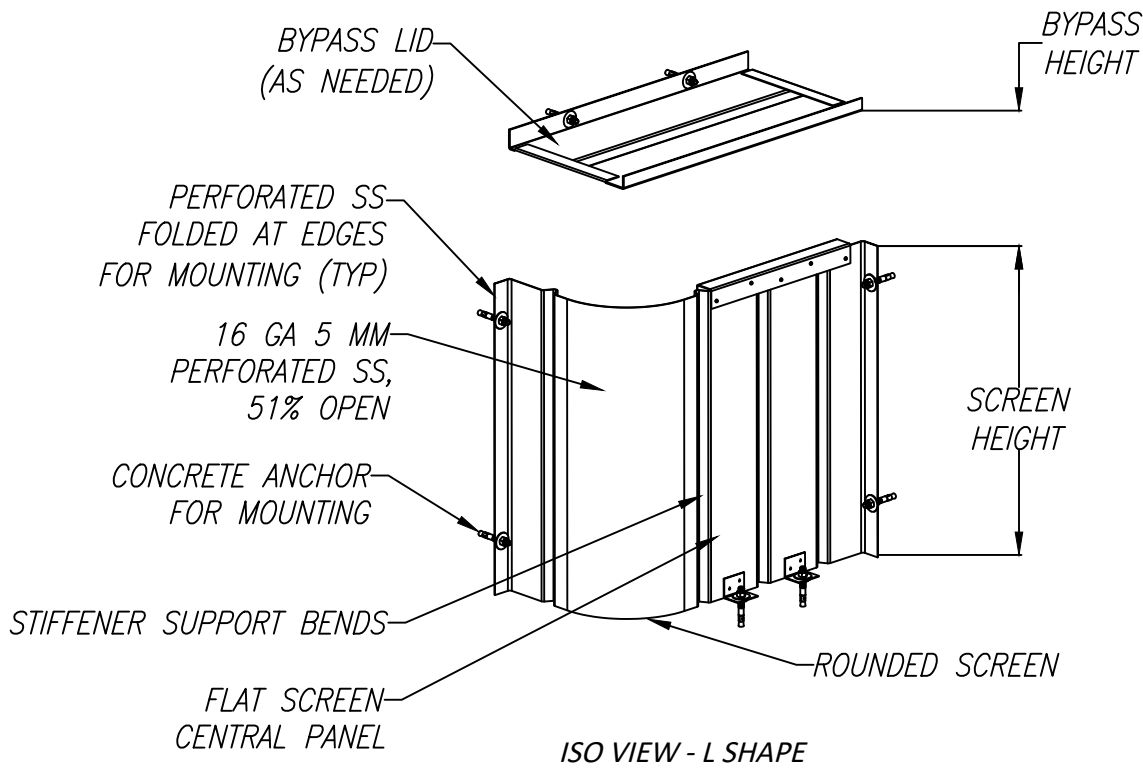


CONNECTOR PIPE SCREEN (CPS) L 4.7 R



CPS L WITH 4.7 FT SCREEN LENGTH	
CPS HEIGHT (IN)	SCREEN FLOW (CFS)
12	6.67
18	12.26
24	18.88
30	26.40
36	34.71

NOTE: BYPASS FLOW RATES VARY WITH VAULT DEPTH AND BYPASS HEIGHT. CONTACT BIO CLEAN FOR ADDITIONAL INFORMATION.

GENERAL NOTES

- BIO CLEAN TO PROVIDE ALL MATERIALS UNLESS OTHERWISE NOTED.
- ALL DIMENSIONS, ELEVATIONS, SPECIFICATIONS, AND CAPACITIES ARE SUBJECT TO CHANGE.
- THIS CPS UNIT IS DESIGNED FOR TREATMENT FLOWS THROUGH THE SCREEN. FLOWS GREATER THAN THE TREATMENT FLOW RATE WILL BYPASS OVER THE SCREEN.
- A BYPASS LID IS REQUIRED WHEN THE OUTLET PIPE IS DIRECTLY BELOW THE CURB OPENING.
- CPS IS COMPRISED OF 304 STAINLESS STEEL. THICKNESS IS 16 GAUGE. SCREEN PERFORATIONS ARE 5 MILLIMETERS IN DIAMETER. THE SCREEN AREA IS 51% OPEN SPACE.

INSTALLATION NOTES

- CONTRACTOR TO PROVIDE ALL LABOR, EQUIPMENT, MATERIALS, AND INCIDENTALS REQUIRED TO INSTALL THE CPS UNIT AND APPURTENANCES IN ACCORDANCE WITH THIS DRAWING AND THE MANUFACTURER'S SPECIFICATIONS, UNLESS OTHERWISE STATED IN MANUFACTURER'S CONTRACT.
- POSITION THE CPS SO IT IS EVENLY SPACED AROUND THE CONNECTOR PIPE, ENSURING A MIN. OF 4" SPACING AWAY FROM ANY CORNERS. SCREEN BOTTOM SHALL BE FLUSH WITH THE CATCH BASIN FLOOR, OR WITH GAPS NO GREATER THAN 5 MM.
- IF A BYPASS LID IS REQUIRED, VERIFY THE BYPASS HEIGHT NEEDED AND MARK THAT LOCATION ON THE WALL DIRECTLY ABOVE THE BASE UPRIGHTS. LIFT THE LID IN PLACE AND MARK THE HOLE LOCATIONS FOR THE LID MOUNTING BRACKETS. SECURE THE LID WITH STAINLESS STEEL NUTS.

WARRANTY: 3 YEAR MANUFACTURER'S

MEETS FULL CAPTURE REQUIREMENTS

BIO CLEAN ENVIRONMENTAL SERVICES, INC.
398 VIA EL CENTRO, OCEANSIDE CA 92058
PHONE: 760-433-7640

REVISIONS: DATE:

REVISIONS: DATE:

REVISIONS: DATE:

REVISIONS: DATE:

DATE: 1/17/2020

SCALE: NTS

DRAFTER: G.M.S.

UNITS = INCHES

Bio Clean
A Forterra Company