

AUTOMATIC RETRACTABLE SCREEN (ARS)

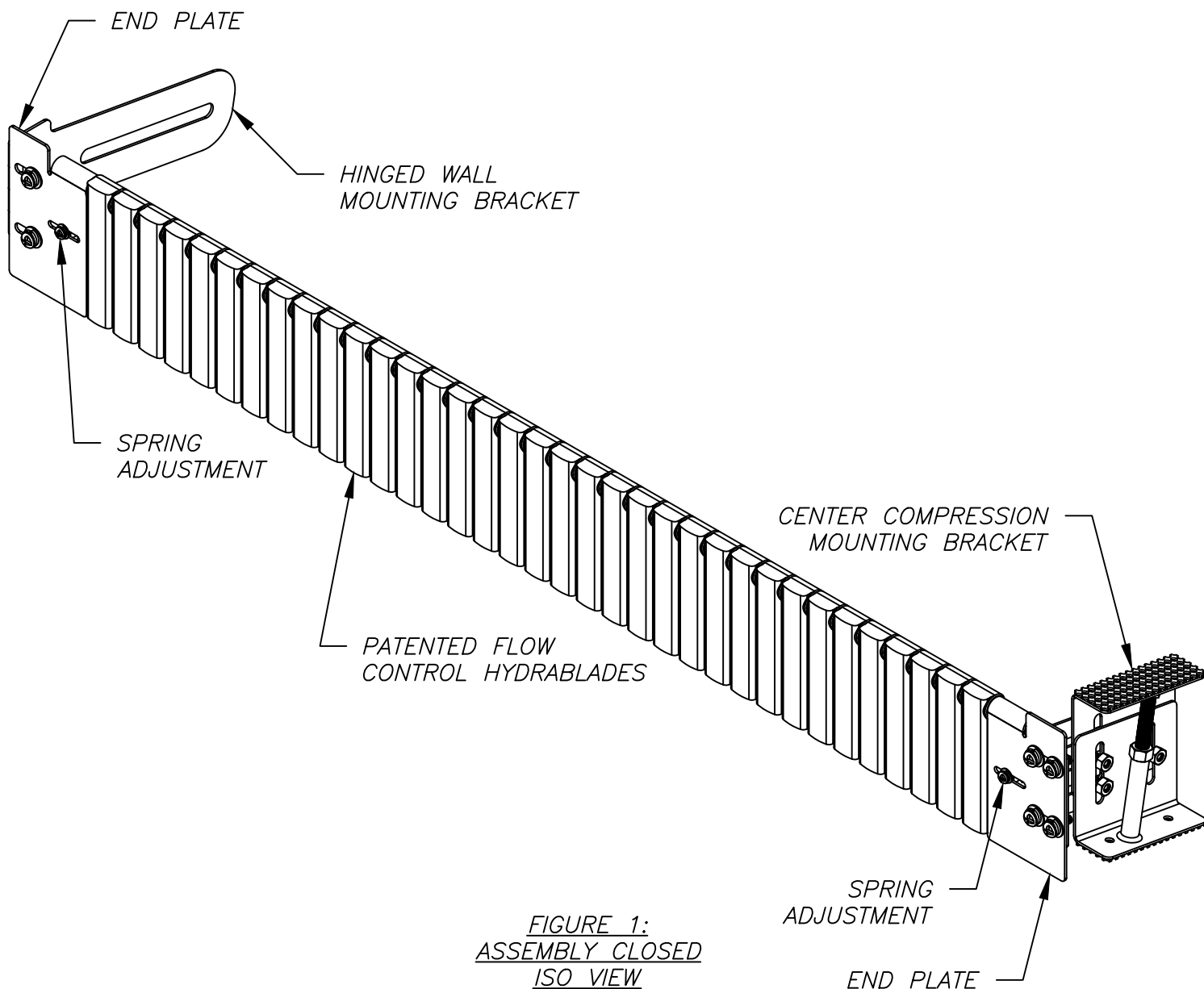


FIGURE 1:
ASSEMBLY CLOSED
ISO VIEW

NOTES:

1. STRUCTURE OF ARS SHALL BE TYPE 304 STAINLESS STEEL.
2. ALL HARDWARE, TAMPER-PROOF SCREWS / ANCHORS SHALL BE TYPE 316 STAINLESS STEEL.
3. CUSTOM SIZING FITS ANY CURB OPENING. OPENINGS 48 INCHES AND LESS DO NOT REQUIRE CENTER COMPRESSION MOUNTING BRACKET. HINGED WALL MOUNTING BRACKET IS AT EACH END OF UNIT.
4. ALL BLADES ARE MADE FROM A HIGH STRENGTH POLYMER WITH UV INHIBITOR.
5. TENSION REGULATORS KEEP BLADES CLOSED. WHEN WATER IN STREET RISES, BLADES AUTOMATICALLY OPEN SLOWLY. NO OVERFLOW GAP NEEDED FOR THIS SYSTEM. TENSION REGULATOR IS UNAFFECTED BY STREET SWEEPER.
6. TENSION REGULATOR FORCES BLADES TO CLOSED POSITION.

DRAWING: AUTOMATIC RETRACTABLE SCREEN

PATENTED

WARRANTY: 3 YEAR MANUFACTURERS

PROJECT:

BIO CLEAN ENVIRONMENTAL SERVICES, INC.
5796 ARMADA DR STE 250, CARLSBAD, CA 92008
PHONE: 760-433-7640

LOCATION:

REVISIONS:

DATE:

DATE: 7/15/19

SCALE: SF = NTS

REVISIONS:

DATE:

DRAFTER: G.M.S.

UNITS = INCHES

REVISIONS:

DATE:



ARS

FRONT VIEW

PART #:	DESCRIPTION:
①	END PLATE W/ HINGED MOUNTING BRACKET
②	CENTER COMPRESSION MOUNTING BRACKET

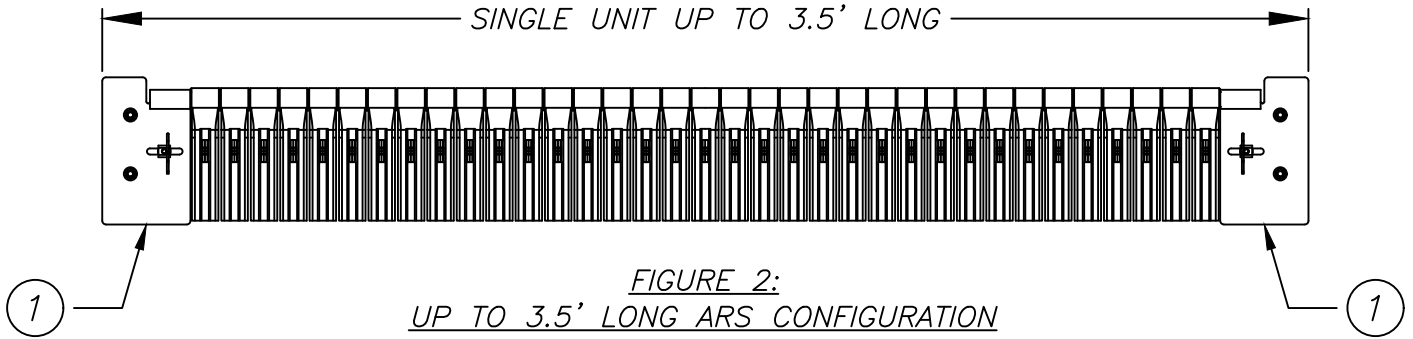


FIGURE 2:
UP TO 3.5' LONG ARS CONFIGURATION

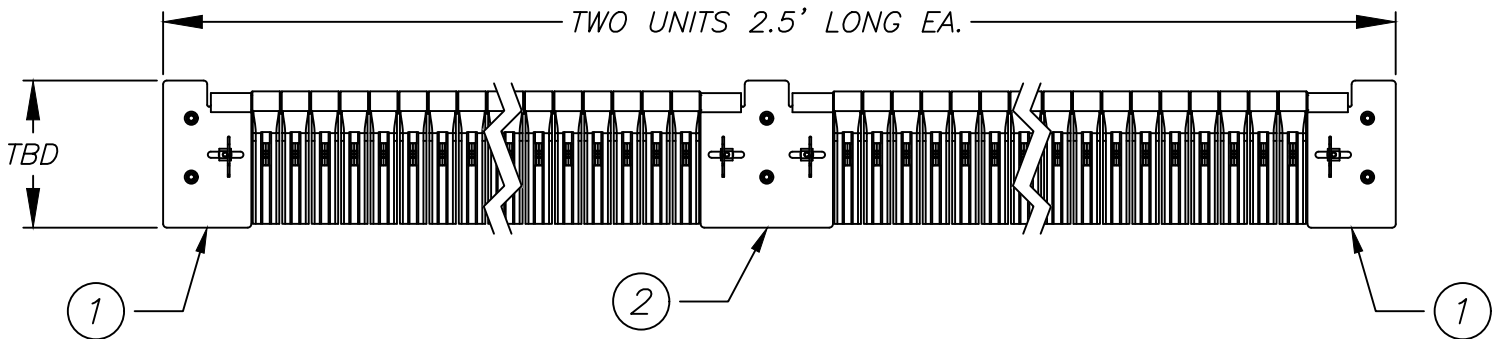


FIGURE 3:
>3.5' TO 7' LONG ARS CONFIGURATION

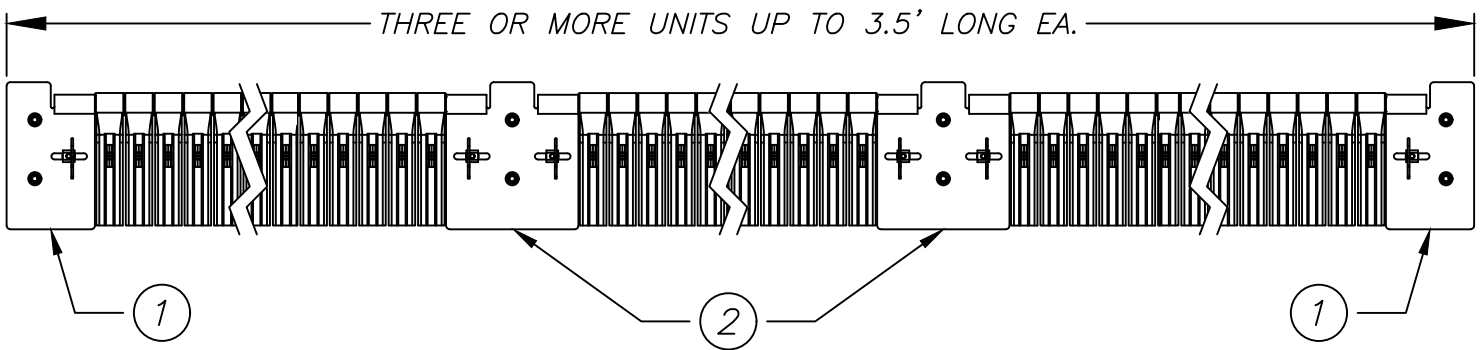


FIGURE 4:
>7' LONG ARS CONFIGURATION

DRAWING: AUTOMATIC RETRACTABLE SCREEN

PATENTED

WARRANTY: 3 YEAR MANUFACTURERS

PROJECT:

BIO CLEAN ENVIRONMENTAL SERVICES, INC.
5796 ARMADA DR STE 250, CARLSBAD, CA 92008
PHONE: 760-433-7640

LOCATION:

DATE: 10/24/19

SCALE: SF = NTS

REVISIONS:

DATE:

DRAFTER: G.M.S.

UNITS = INCHES

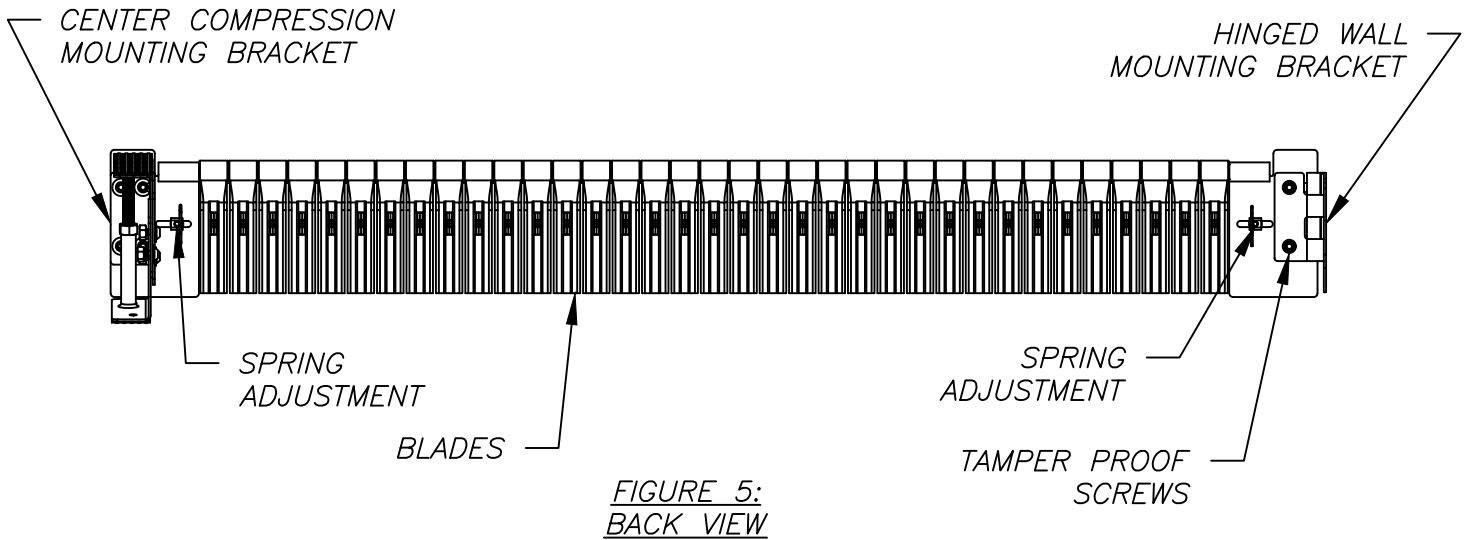
REVISIONS:

DATE:

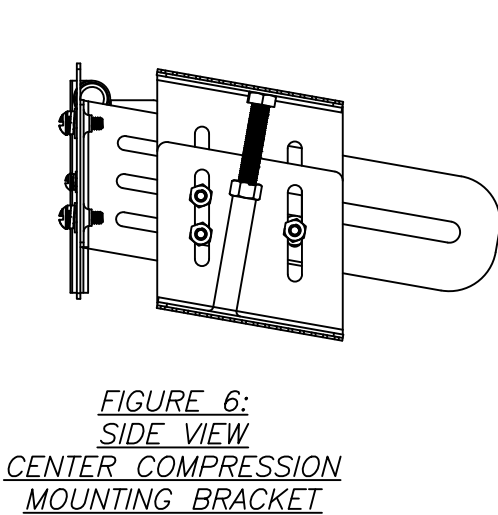
REVISIONS:

DATE:

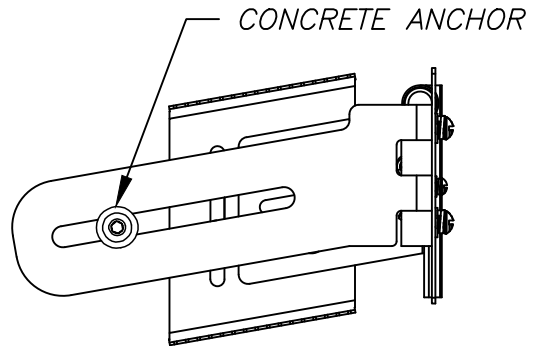
Bio Clean[™]
A Forterra Company



**FIGURE 5:
BACK VIEW**



**FIGURE 6:
SIDE VIEW
CENTER COMPRESSION
MOUNTING BRACKET**



**FIGURE 7:
SIDE VIEW
HINGED WALL
MOUNTING BRACKET**

INSTALLATION NOTES:

1. SLIDE ARS INTO DRAIN OPENING FOR TEST FIT. SET ARS UNIT(S) IN FRONT OF DRAIN NUMERICALLY FROM LEFT TO RIGHT.
2. IF UNIT(S) DO NOT FIT, MODIFY BRACKET NOTING BRACKET HOLES USED TO SECURE SWIVELING BRACKET.
3. SECURE THE SWIVELING BRACKET INTO WALL.
4. REMOVE TENSIONER SPRING FROM BACK OF THE UNIT AND SLIDE BRACKET OFF TOP SUPPORT BAR. SECURE BRACKET INTO SIDE OF CURB USING HEX BOLTS AND HEX WRENCH. SLIDE SUPPORT BAR BACK INTO BRACKET TO VERIFY UNIT FITS INTO BASIN CORRECTLY. IF MULTIPLE UNITS, SLIDE FIRST UNIT INTO PLACE, PLACE TENSION BRACKET SO THAT FRONT BRACKET HOLES LINE UP WITH TENSION BRACKET HOLES, ADD STRUCTURAL CAULKING ADHESIVE ONTO TENSIONER BRACKET TO ENSURE IT IS SECURE, AND ATTACH FRONT BRACKET HEX SCREWS TO THE TENSIONER BRACKET. REPEAT FOR ADDITIONAL UNITS.
- 5.
6. IF UNIT IS TOO LONG FOR CATCH BASIN, REMOVE UNSECURED BRACKET FROM SUPPORT ROD LEAVING BLADES AND SUPPORT ROD IN CATCH BASIN.
7. MEASURE AMOUNT NEEDED TO BE REMOVED FROM SUPPORT BAR. REMOVE BLADES TO HAVE A CLEAR CUT ON SUPPORT BAR. CUT SUPPORT BAR AND REPLACE BLADES AND BRACKET.
8. DETHREAD RETAINING PIN AND CUT THE SPRING TO DESIRED TENSION. RETHREAD THE RETAINING PIN SCREW AND SECURE TENSION SPRING TO BACK OF UNIT.
9. PLACE BRACKET ONTO SWIVELING BRACKET AND SECURE USING HEX WRENCH.
10. VERIFY EACH BLADE MOVES INDEPENDENTLY AND THAT THE DESIRED TENSION IS IN THE SPRING.
11. IF THERE IS A NEED TO ADD OR REMOVE TENSION, ADJUST LATERAL TENSION SCREWS ON THE FRONT BRACKET.

DRAWING: AUTOMATIC RETRACTABLE SCREEN

MODEL #: SEE TABLE ABOVE

WARRANTY: 3 YEAR MANUFACTURERS

BIO CLEAN ENVIRONMENTAL SERVICES, INC.
5796 ARMADA DR STE 250, CARLSBAD, CA 92008
PHONE: 760-433-7640

DATE: 10/24/19

SCALE: SF = NTS

DRAFTER: G.M.S.

UNITS = INCHES

PATENTED

PROJECT:

LOCATION:

REVISIONS:

DATE:

REVISIONS:

DATE:

REVISIONS:

DATE:

Bio Clean™
A Forterra Company