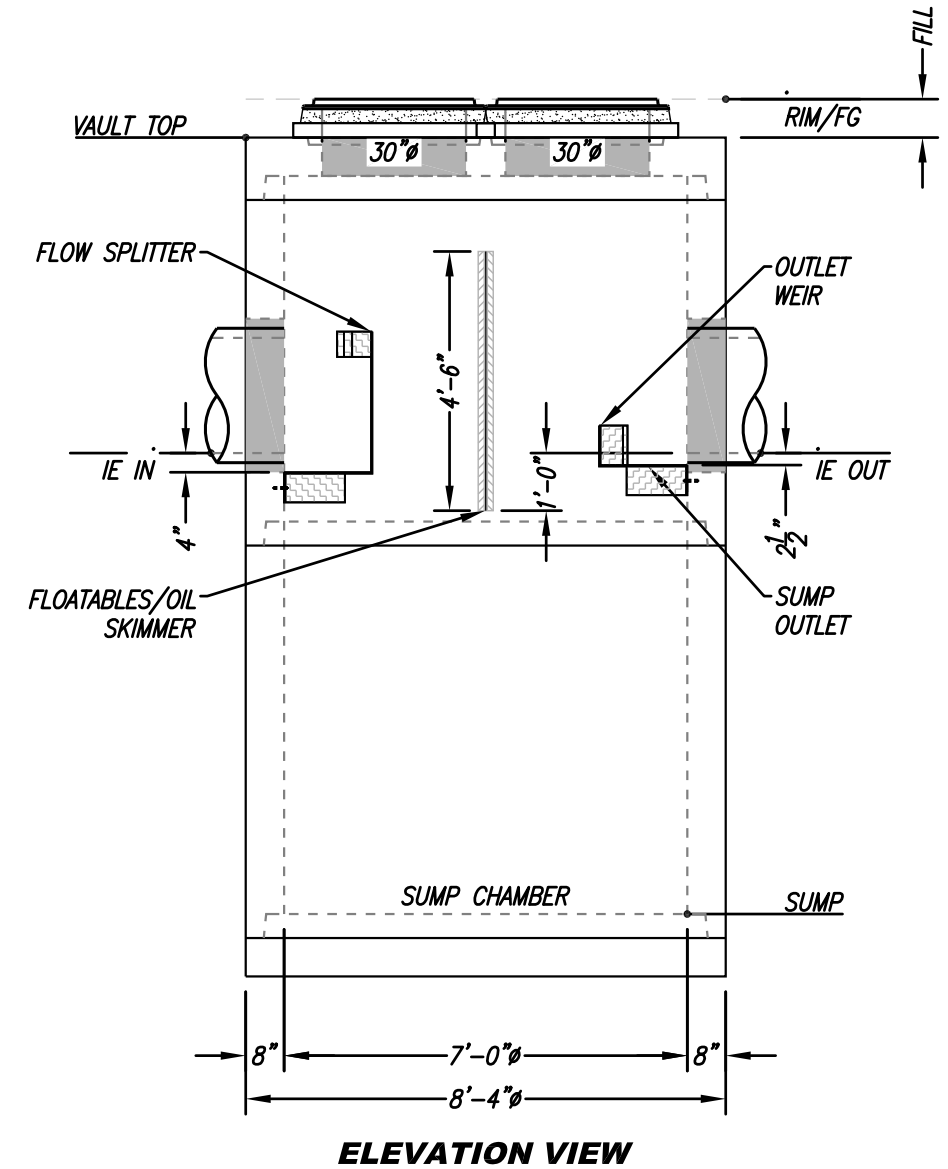
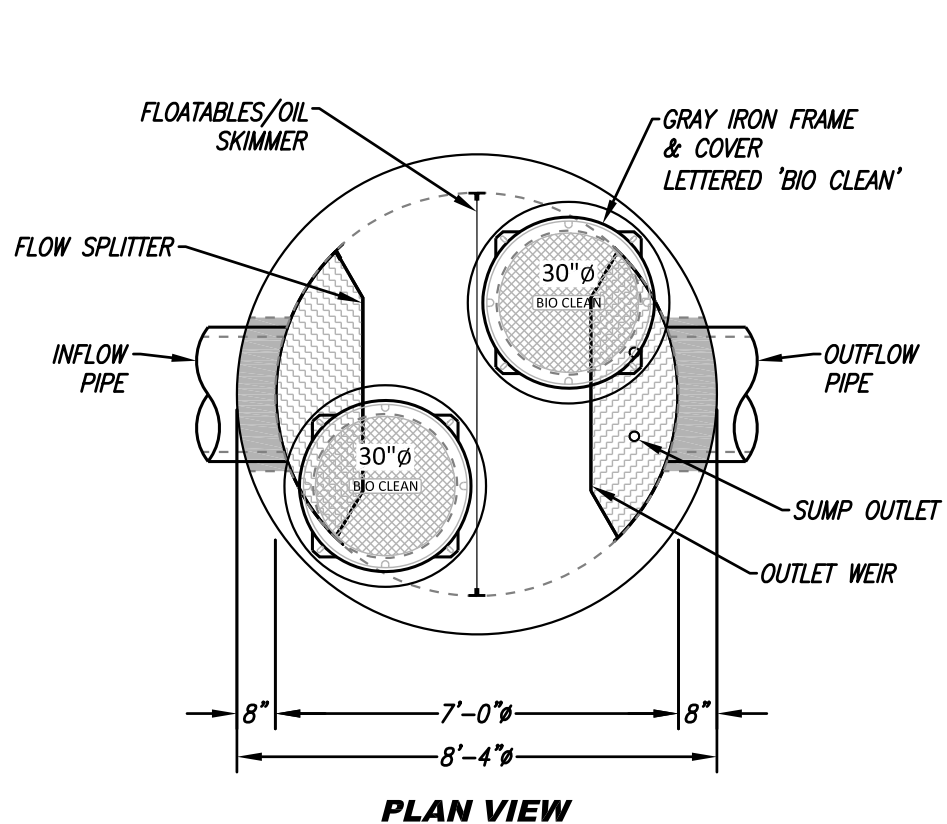


SITE SPECIFIC DATA*			
PROJECT NUMBER			
PROJECT NAME			
PROJECT LOCATION			
STRUCTURE ID	SC-7		
WATER QUALITY FLOW RATE (CFS)			
PEAK FLOW RATE (CFS)			
PEAK STORM DURATION (YEARS)			
PIPE DATA	I.E.	MATERIAL	DIAMETER
INFLOW PIPE 1			
OUTFLOW PIPE 1			
RIM ELEVATION			
SUMP ELEVATION			
SURFACE LOADING REQUIREMENT	HS20		
FRAME AND COVER	(2) $\phi 30"$		
SKIMMER WALL HEIGHT	STANDARD		
KNOWN GROUNDWATER ELEVATION	NA		
NOTES: CONCEPT ONLY. NOT FOR CONSTRUCTION. TREATMENT FLOW RATES PER LOCAL REGULATIONS.			
*PER ENGINEER OF RECORD			
PERFORMANCE DATA			
TREATMENT FLOW RATE (CFS)			
TSS REMOVAL EFFICIENCY	80%		
HYDRAULIC GRADE LINE			
SUMP CHAMBER CAPACITY			
DIAMETER (FT)	AREA (SF)	HEIGHT (FT)	TOTAL (CF)
7	38.47		

**INSTALLATION NOTES**

1. CONTRACTOR TO PROVIDE ALL LABOR, EQUIPMENT, MATERIALS, AND INCIDENTALS REQUIRED TO OFFLOAD AND INSTALL THE SCICLONE UNIT AND APPURTENANCES IN ACCORDANCE WITH THIS DRAWING AND THE MANUFACTURER'S SPECIFICATIONS, UNLESS OTHERWISE STATED IN MANUFACTURER'S CONTRACT.
2. MANUFACTURER RECOMMENDS A 6" LEVEL ROCK BASE UNLESS SPECIFIED BY THE PROJECT ENGINEER. CONTRACTOR IS RESPONSIBLE FOR VERIFYING PROJECT ENGINEER'S RECOMMENDED BASE SPECIFICATIONS.
3. ALL PIPES MUST BE FLUSH WITH INSIDE SURFACE OF CONCRETE (PIPES CANNOT INTRUDE BEYOND FLUSH).
4. ALL GAPS AROUND PIPES SHALL BE SEALED WATERTIGHT WITH A NON-SHRINK GROUT PER MANUFACTURER'S STANDARD CONNECTION DETAIL AND SHALL MEET OR EXCEED REGIONAL PIPE CONNECTION STANDARDS.
5. CONTRACTOR RESPONSIBLE FOR INSTALLATION OF ALL PIPES, RISERS AND MANHOLES. ALL COVERS SHALL BE SHIPPED LOOSE. CONTRACTOR TO GROUT ALL MANHOLES TO MATCH FINISHED SURFACE UNLESS SPECIFIED OTHERWISE.

1:40 SCALE



**GENERAL NOTES**

1. BIO CLEAN TO PROVIDE ALL MATERIALS UNLESS OTHERWISE NOTED.
2. ALL DIMENSIONS, ELEVATIONS, SPECIFICATIONS, AND CAPACITIES ARE SUBJECT TO CHANGE. FOR PROJECT SPECIFIC DRAWINGS DETAILING EXACT DIMENSIONS, WEIGHTS, AND ACCESSORIES PLEASE CONTACT BIO CLEAN.

3/18/2025ERTICH

<p>THIS PRODUCT MAY BE PROTECTED BY ONE OR MORE OF THE FOLLOWING US PATENTS: 15,700,149; 10,344,466; B-00320. RELATED FOREIGN PATENTS OR OTHER PATENTS PENDING.</p>	<p>PROPRIETARY AND CONFIDENTIAL: THE INFORMATION CONTAINED IN THIS DOCUMENT IS THE SOLE PROPERTY OF FORTERRA AND ITS COMPANIES. THIS DOCUMENT, NOR ANY PART THEREOF, MAY BE USED, REPRODUCED OR MODIFIED IN ANY MANNER WITHOUT THE WRITTEN CONSENT OF FORTERRA.</p>	 <p><b>Bio Clean</b> A Forterra Company</p>	<p><b>SCICLONE SC-7</b> HYDRODYNAMIC SEPARATOR STANDARD DETAIL</p>
---	---	---	--