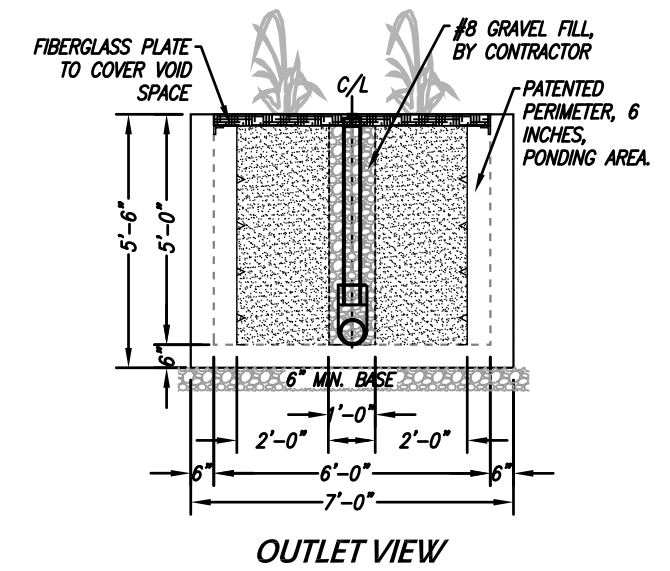
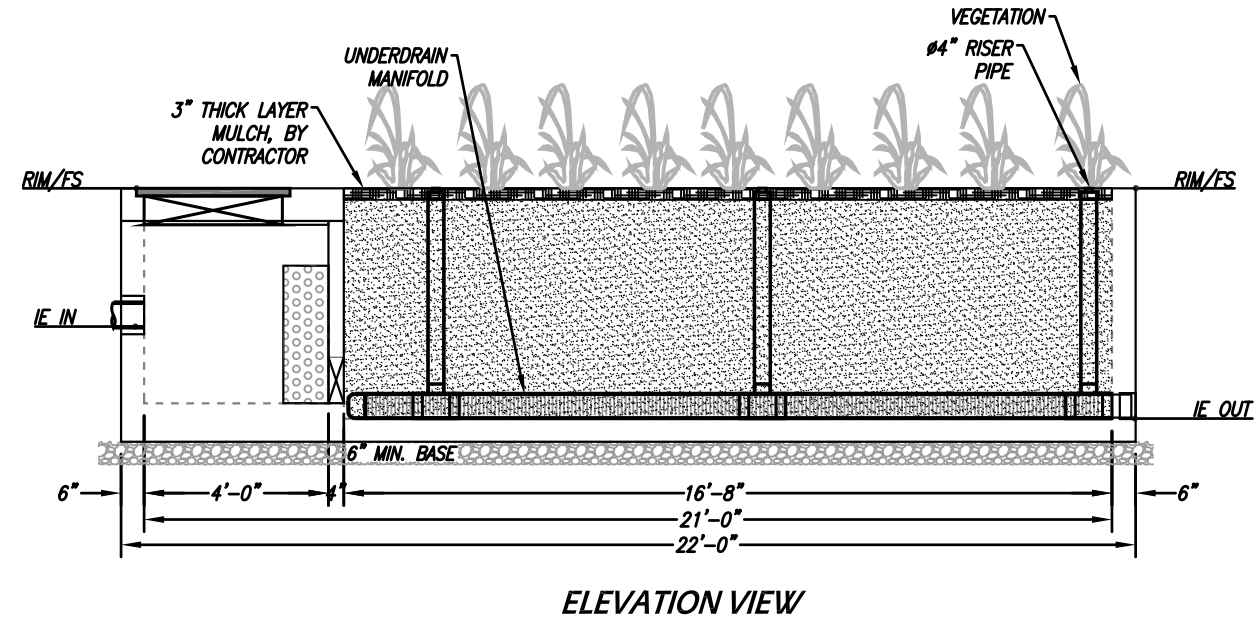
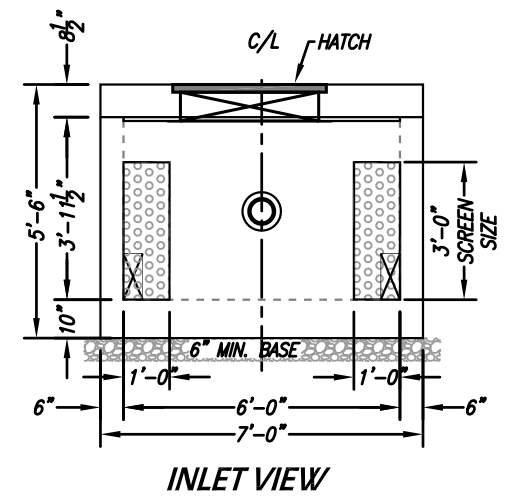
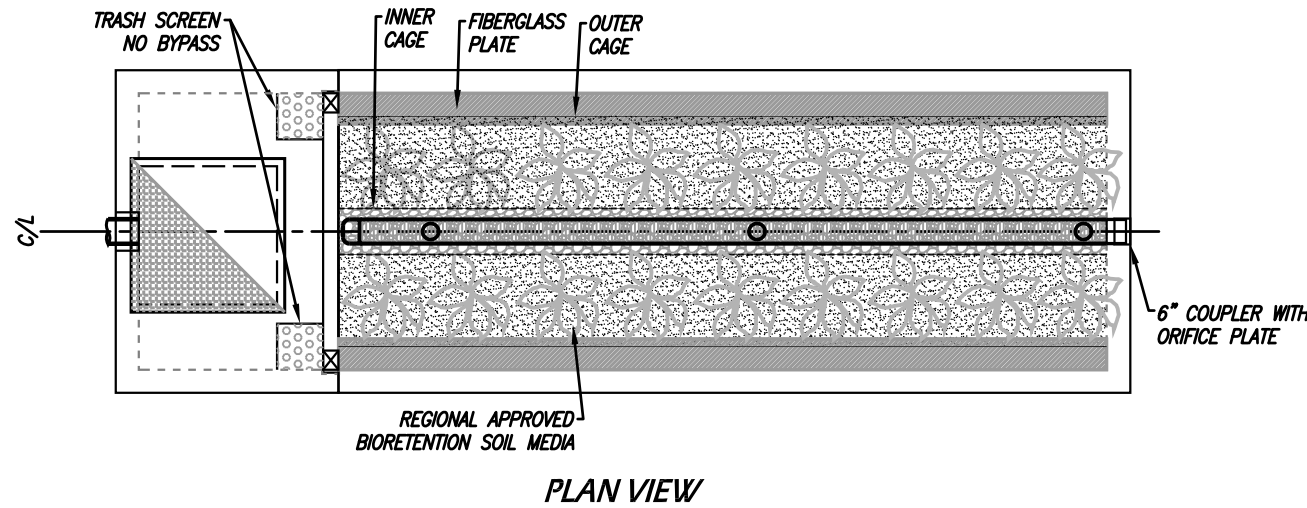


SITE SPECIFIC DATA			
PROJECT ID			
PROJECT NAME			
PROJECT LOCATION			
STRUCTURE ID			
TREATMENT REQUIRED			
VOLUME BASED (CF)		FLOW BASED (CFS)	
---		---	
TREATMENT HGL AVAILABLE (FT)		---	
PEAK BYPASS REQUIRED (CFS) - IF APPLICABLE		OFFLINE	
PIPE DATA	I.E.	MATERIAL	DIAMETER
INLET PIPE	N/K	N/K	N/K
INLET PIPE			
OUTLET PIPE	-5.00	PVC-SDR35	6"
	PRETREATMENT	BIOFILTRATION	N/A
RIM ELEVATION	0.00	0.00	0.00
SURFACE LOAD	PEDESTRIAN	OPEN PLANTER	N/A
FRAME & COVER	36" X 36"	N/A	N/A
LA COUNTY MEDIA MIX VOLUME (CY)		---	
GRAVEL LAYER WITHIN MEDIA CHAMBER (CY)		---	
ORIFICE DIAMETER (IN)		---	
NOTES: PRELIMINARY, NOT FOR CONSTRUCTION.			

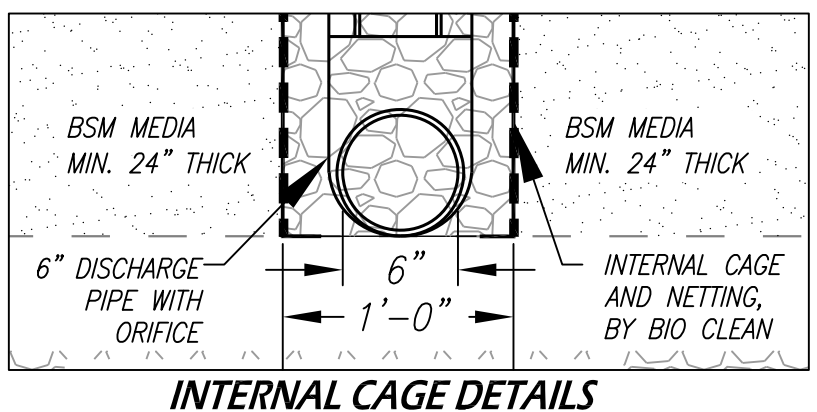


INSTALLATION NOTES

- CONTRACTOR TO PROVIDE ALL LABOR, EQUIPMENT, MATERIALS AND INCIDENTALS REQUIRED TO OFFLOAD AND INSTALL THE SYSTEM AND APPURTENANCES IN ACCORDANCE WITH THIS DRAWING AND THE MANUFACTURER'S SPECIFICATIONS, UNLESS OTHERWISE STATED IN MANUFACTURER'S CONTRACT.
- UNIT MUST BE INSTALLED ON LEVEL BASE. MANUFACTURER RECOMMENDS A MINIMUM 6" LEVEL ROCK BASE UNLESS SPECIFIED BY THE PROJECT ENGINEER. CONTRACTOR IS RESPONSIBLE FOR VERIFYING PROJECT ENGINEER'S RECOMMENDED BASE SPECIFICATIONS.
- ALL PIPES MUST BE FLUSH WITH INSIDE SURFACE OF CONCRETE. (PIPES CANNOT INTRUDE BEYOND FLUSH). INVERT OF OUTFLOW PIPE MUST BE FLUSH WITH DISCHARGE CHAMBER FLOOR. ALL GAPS AROUND PIPES SHALL BE SEALED WATER TIGHT WITH A NON-SHRINK GROUT PER MANUFACTURER'S STANDARD CONNECTION DETAIL AND SHALL MEET OR EXCEED REGIONAL PIPE CONNECTION STANDARDS.
- CONTRACTOR TO SUPPLY AND INSTALL ALL EXTERNAL CONNECTING PIPES.
- CONTRACTOR RESPONSIBLE FOR INSTALLATION OF ALL RISERS, MANHOLES, AND HATCHES. CONTRACTOR TO GROUT ALL MANHOLES AND HATCHES TO MATCH FINISHED SURFACE UNLESS SPECIFIED OTHERWISE.
- DRIP OR SPRAY IRRIGATION REQUIRED ON ALL UNITS WITH VEGETATION.

GENERAL NOTES

- MANUFACTURER TO PROVIDE ALL MATERIALS UNLESS OTHERWISE NOTED.
- ALL DIMENSIONS, ELEVATIONS, SPECIFICATIONS AND CAPACITIES ARE SUBJECT TO CHANGE. FOR PROJECT SPECIFIC DRAWINGS DETAILING EXACT DIMENSIONS, WEIGHTS AND ACCESSORIES PLEASE CONTACT MANUFACTURER.



REQUIRED HORIZ. MEDIA THICKNESS (INCHES)	24
TREATMENT VOLUME (CF)	2400
TARGETED DRAINDOWN DURATION (HR)	24
WETLAND MEDIA INFILTRATION RATE (IN/HR)	12
WETLAND MEDIA LOADING RATE (GPM/SF)	OR 0.12
DISCHARGE RATE (CFS)	0.028
REQUIRED TOTAL MEDIA SURFACE AREA (SF)	103.89
PROVIDED TOTAL MEDIA SURFACE AREA (SF)	104.00
NUMBER OF ROW(S)	1

THE PRODUCT DESCRIBED MAY BE PROTECTED BY ONE OR MORE OF THE FOLLOWING US PATENTS: 7,425,262; 7,470,362; 7,674,378; 8,303,816; RELATED FOREIGN PATENTS OR OTHER PATENTS PENDING

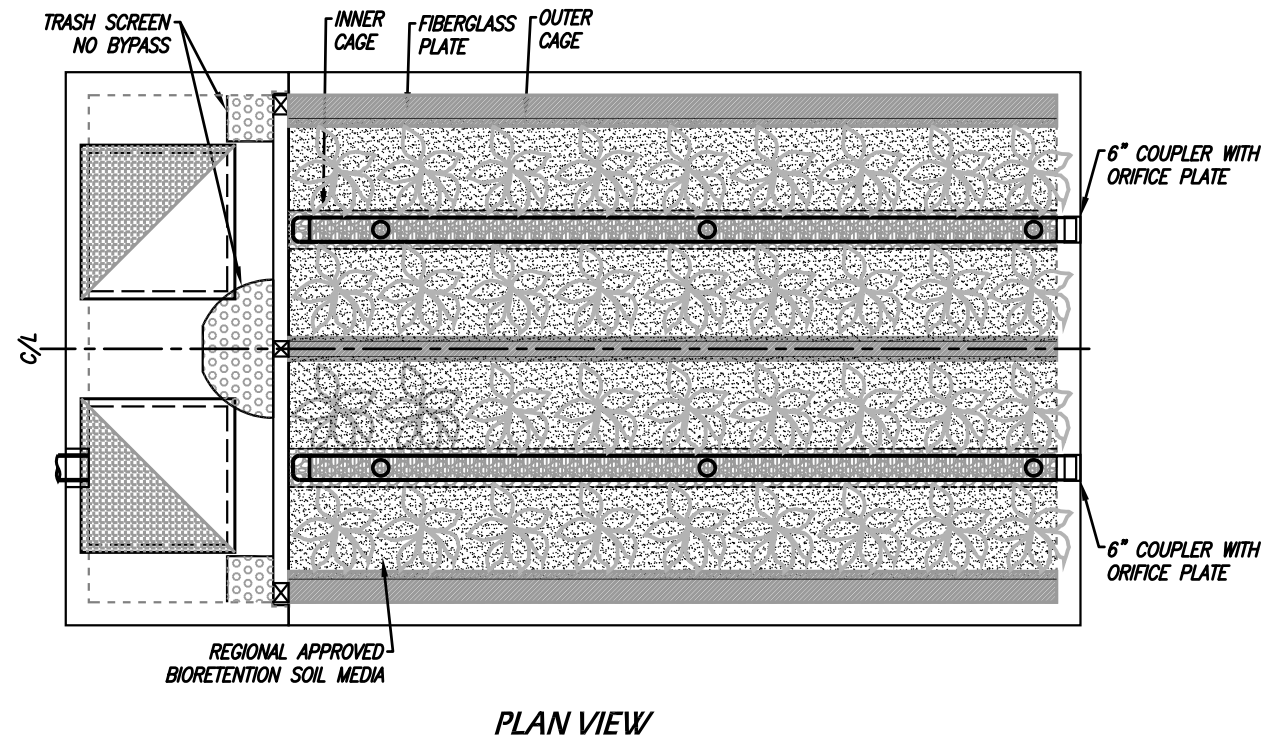
PROPRIETARY AND CONFIDENTIAL:
THE INFORMATION CONTAINED IN THIS DRAWING IS THE SOLE PROPERTY OF MODULAR WETLANDS SYSTEMS. ANY REPRODUCTION IN PART OR AS A WHOLE WITHOUT THE WRITTEN PERMISSION OF MODULAR WETLANDS SYSTEMS IS PROHIBITED.



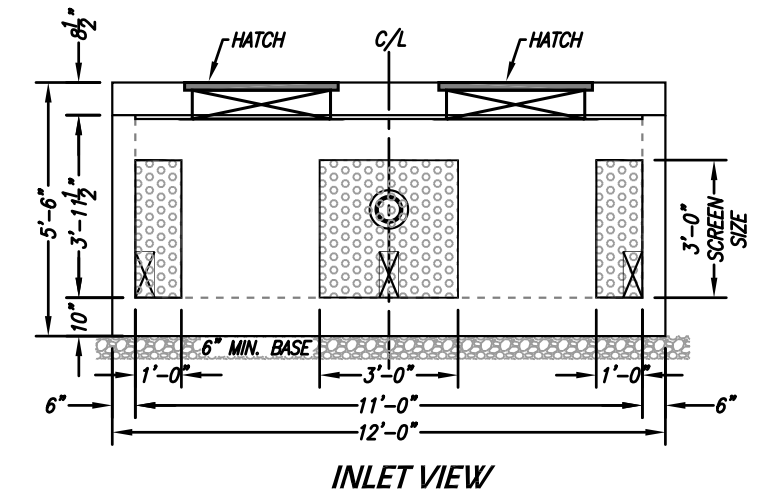
WetlandMOD-6-XX-V
STORMWATER BIOFILTRATION SYSTEM
STANDARD DETAIL

10/25/19CSINGH

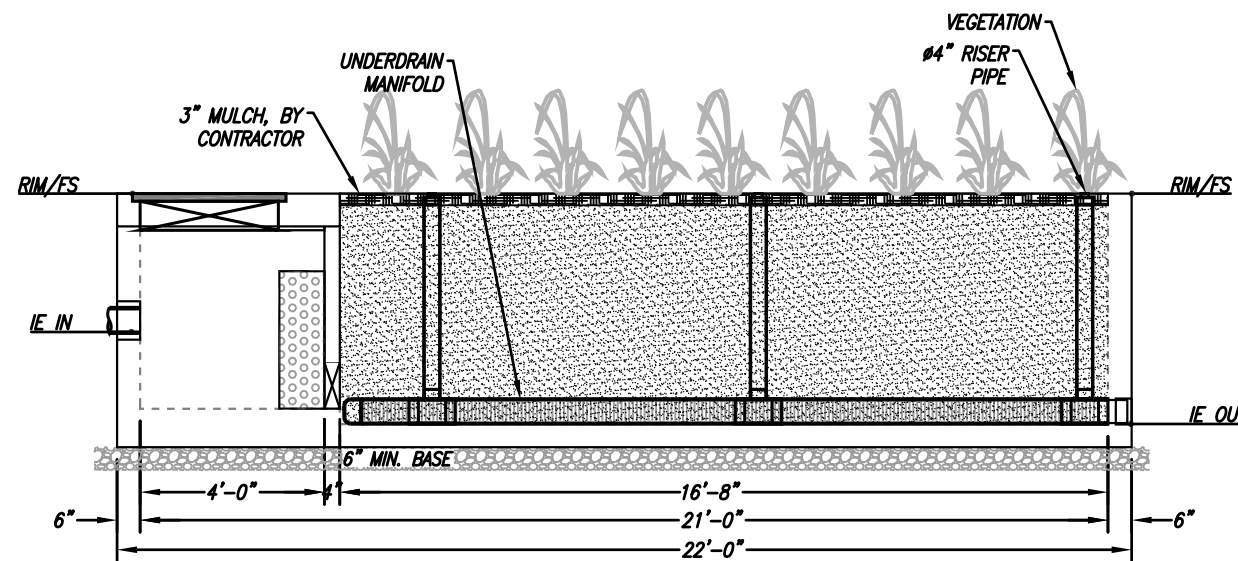
SITE SPECIFIC DATA			
PROJECT ID			
PROJECT NAME			
PROJECT LOCATION			
STRUCTURE ID			
TREATMENT REQUIRED			
VOLUME BASED (CF)		FLOW BASED (CFS)	
---		---	
TREATMENT HGL AVAILABLE (FT)		---	
PEAK BYPASS REQUIRED (CFS) - IF APPLICABLE		OFFLINE	
PIPE DATA	I.E.	MATERIAL	DIAMETER
INLET PIPE	N/K	N/K	N/K
INLET PIPE			
OUTLET PIPE	-5.00	PVC-SDR35	6"
	PRETREATMENT	BIOFILTRATION	N/A
RIM ELEVATION	0.00	0.00	0.00
SURFACE LOAD	PEDESTRIAN	OPEN PLANTER	N/A
FRAME & COVER	36" X 36"	N/A	N/A
LA COUNTY MEDIA MIX VOLUME (CY)		---	
GRAVEL LAYER WITHIN MEDIA CHAMBER (CY)		---	
ORIFICE DIAMETER (IN)		---	
NOTES: PRELIMINARY, NOT FOR CONSTRUCTION.			



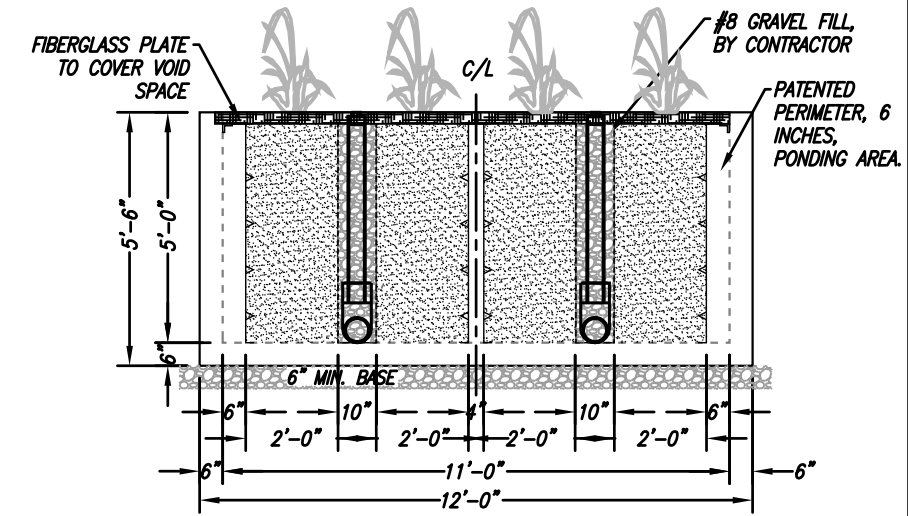
PLAN VIEW



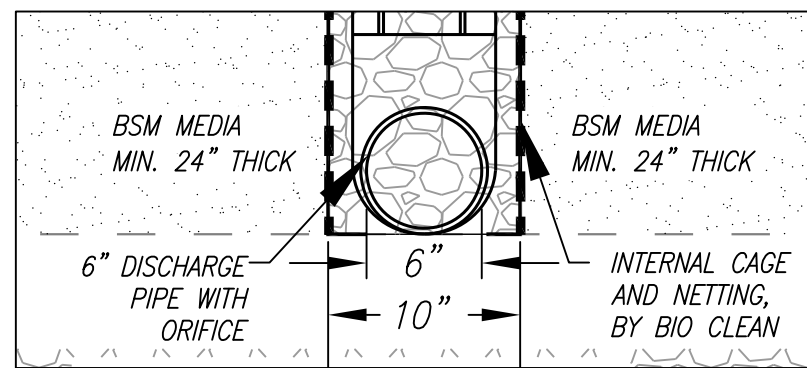
INLET VIEW



ELEVATION VIEW



OUTLET VIEW



INTERNAL CAGE DETAILS

INSTALLATION NOTES

1. CONTRACTOR TO PROVIDE ALL LABOR, EQUIPMENT, MATERIALS AND INCIDENTALS REQUIRED TO OFFLOAD AND INSTALL THE SYSTEM AND APPURTENANCES IN ACCORDANCE WITH THIS DRAWING AND THE MANUFACTURER'S SPECIFICATIONS, UNLESS OTHERWISE STATED IN MANUFACTURER'S CONTRACT.
2. UNIT MUST BE INSTALLED ON LEVEL BASE. MANUFACTURER RECOMMENDS A MINIMUM 6" LEVEL ROCK BASE UNLESS SPECIFIED BY THE PROJECT ENGINEER. CONTRACTOR IS RESPONSIBLE FOR VERIFYING PROJECT ENGINEER'S RECOMMENDED BASE SPECIFICATIONS.
3. ALL PIPES MUST BE FLUSH WITH INSIDE SURFACE OF CONCRETE. (PIPES CANNOT INTRUDE BEYOND FLUSH). INVERT OF OUTFLOW PIPE MUST BE FLUSH WITH DISCHARGE CHAMBER FLOOR. ALL GAPS AROUND PIPES SHALL BE SEALED WATER TIGHT WITH A NON-SHRINK GROUT PER MANUFACTURER'S STANDARD CONNECTION DETAIL AND SHALL MEET OR EXCEED REGIONAL PIPE CONNECTION STANDARDS.
4. CONTRACTOR TO SUPPLY AND INSTALL ALL EXTERNAL CONNECTING PIPES.
5. CONTRACTOR RESPONSIBLE FOR INSTALLATION OF ALL RISERS, MANHOLES, AND HATCHES. CONTRACTOR TO GROUT ALL MANHOLES AND HATCHES TO MATCH FINISHED SURFACE UNLESS SPECIFIED OTHERWISE.
6. DRIP OR SPRAY IRRIGATION REQUIRED ON ALL UNITS WITH VEGETATION.

GENERAL NOTES

1. MANUFACTURER TO PROVIDE ALL MATERIALS UNLESS OTHERWISE NOTED.
2. ALL DIMENSIONS, ELEVATIONS, SPECIFICATIONS AND CAPACITIES ARE SUBJECT TO CHANGE. FOR PROJECT SPECIFIC DRAWINGS DETAILING EXACT DIMENSIONS, WEIGHTS AND ACCESSORIES PLEASE CONTACT MANUFACTURER.

THE PRODUCT DESCRIBED MAY BE PROTECTED BY ONE OR MORE OF THE FOLLOWING US PATENTS: 7,425,262; 7,470,362; 7,674,378; 8,303,816; RELATED FOREIGN PATENTS OR OTHER PATENTS PENDING

PROPRIETARY AND CONFIDENTIAL:

THE INFORMATION CONTAINED IN THIS DRAWING IS THE SOLE PROPERTY OF MODULAR WETLANDS SYSTEMS. ANY REPRODUCTION IN PART OR AS A WHOLE WITHOUT THE WRITTEN PERMISSION OF MODULAR WETLANDS SYSTEMS IS PROHIBITED.



REQUIRED HORIZ. MEDIA THICKNESS (INCHES)	24
TREATMENT VOLUME (CF)	2400
TARGETED DRAINDOWN DURATION (HR)	24
WETLAND MEDIA INFILTRATION RATE (IN/HR)	12
WETLAND MEDIA LOADING RATE (GPM/SF)	OR 0.12
DISCHARGE RATE (CFS)	0.028
REQUIRED TOTAL MEDIA SURFACE AREA (SF)	103.89
PROVIDED TOTAL MEDIA SURFACE AREA (SF)	104.00
NUMBER OF ROW(S)	1

WetlandMOD-11-XX-V
STORMWATER BIOFILTRATION SYSTEM
STANDARD DETAIL