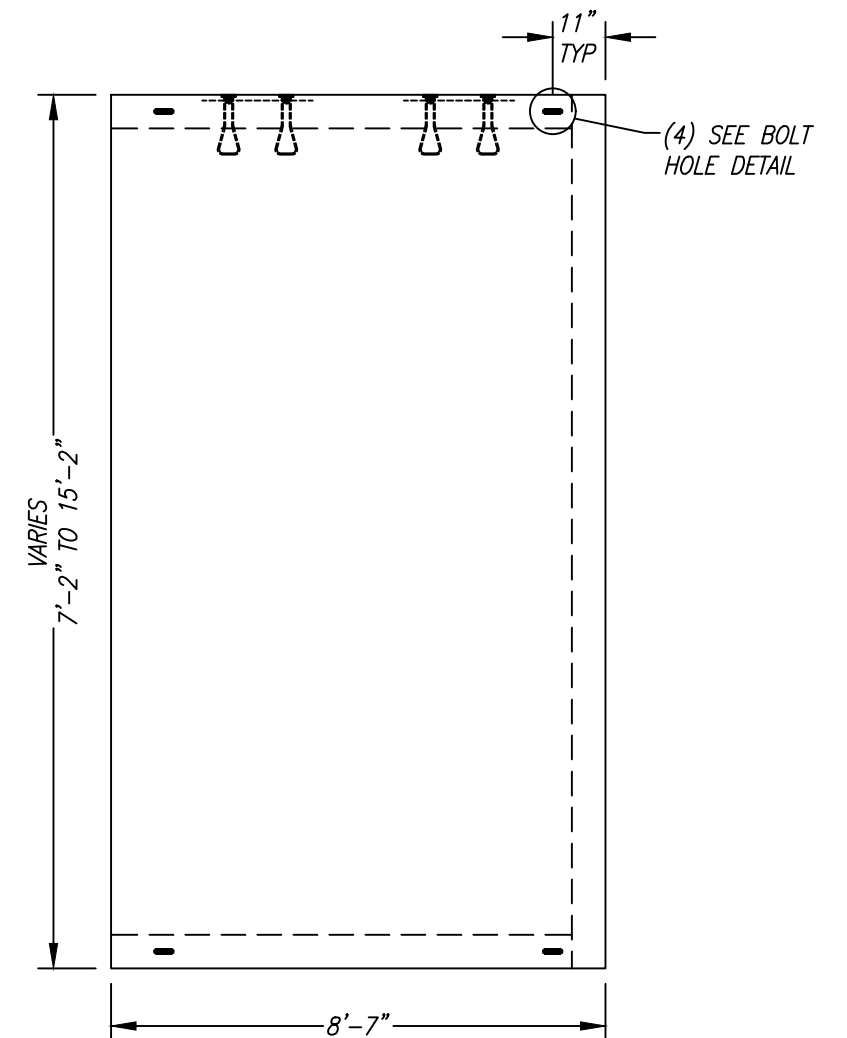
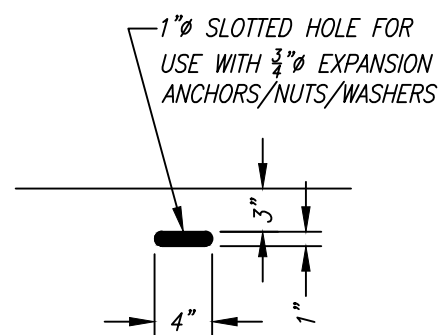


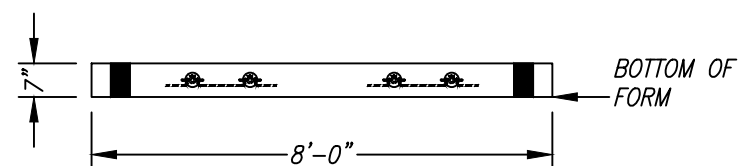
EXTERIOR VIEW



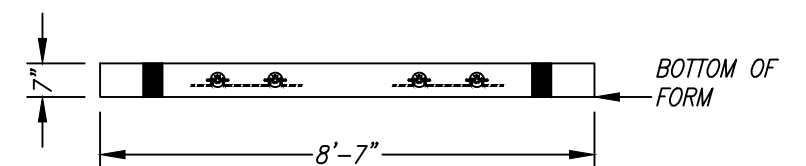
EXTERIOR VIEW



BOLT HOLE DETAIL



TOP VIEW



TOP VIEW

Z/30/19SSERTICH

1:40 SCALE

THIS PRODUCT MAY BE PROTECTED BY ONE OR MORE OF THE FOLLOWING US PATENTS: 10,151,083 B2 & 10,151,096 B2. RELATED FOREIGN PATENTS OR OTHER PATENTS PENDING

PROPRIETARY AND CONFIDENTIAL:
THE INFORMATION CONTAINED IN THIS DOCUMENT IS THE SOLE PROPERTY OF FORTERRA AND ITS COMPANIES. THIS DOCUMENT, NOR ANY PART THEREOF, MAY BE USED, REPRODUCED OR MODIFIED IN ANY MANNER WITH OUT THE WRITTEN CONSENT OF FORTERRA.



URBANPOND
PRECAST CONCRETE STORMWATER DETENTION
DOUBLE MODULE - EXTERIOR WALL PANEL