



# Watergate ARS

A Stormwater Trash Capture Solution



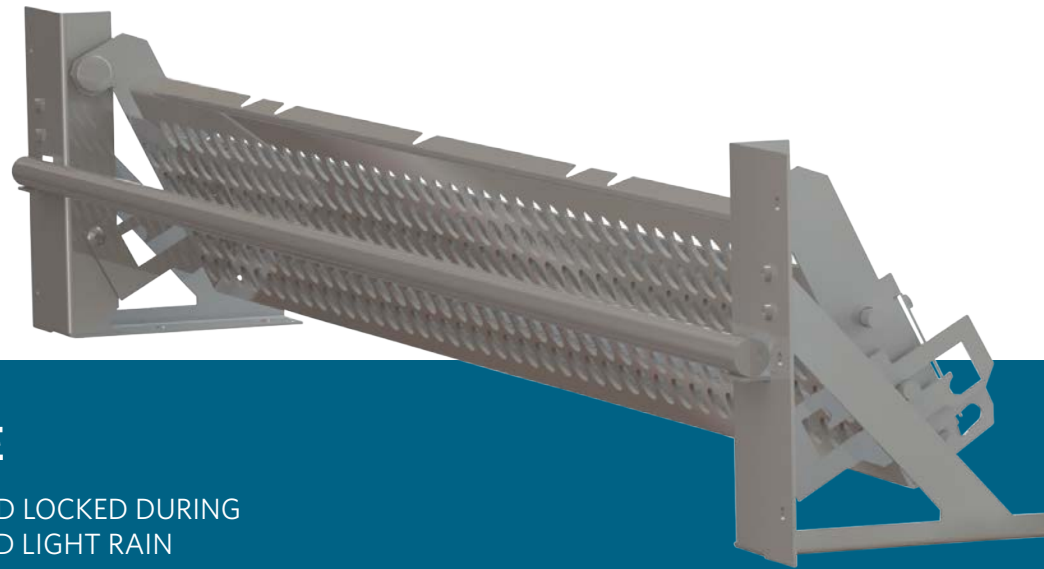
# OVERVIEW

The Bio Clean Watergate ARS is a revolutionary automatic retractable curb inlet filtration screen that blocks trash and debris from entering storm drains during dry weather flows and light to moderate rain. During these periods, the screen remains closed and locked to allow removal of trash and debris by routine street sweeping operations.

During periods of increased flow and heavy rain, the screen will unlock and open to allow runoff into the storm drain to prevent flooding. When the water flow subsides, the screen will return to the closed and locked position.

The Watergate ARS features a patented front-pivot design to bias the screen toward the closed position and provide for more effective closing and locking.

The positive closing force vastly reduces the possibility of debris becoming trapped under the screen and preventing it from fully closing and becoming locked.



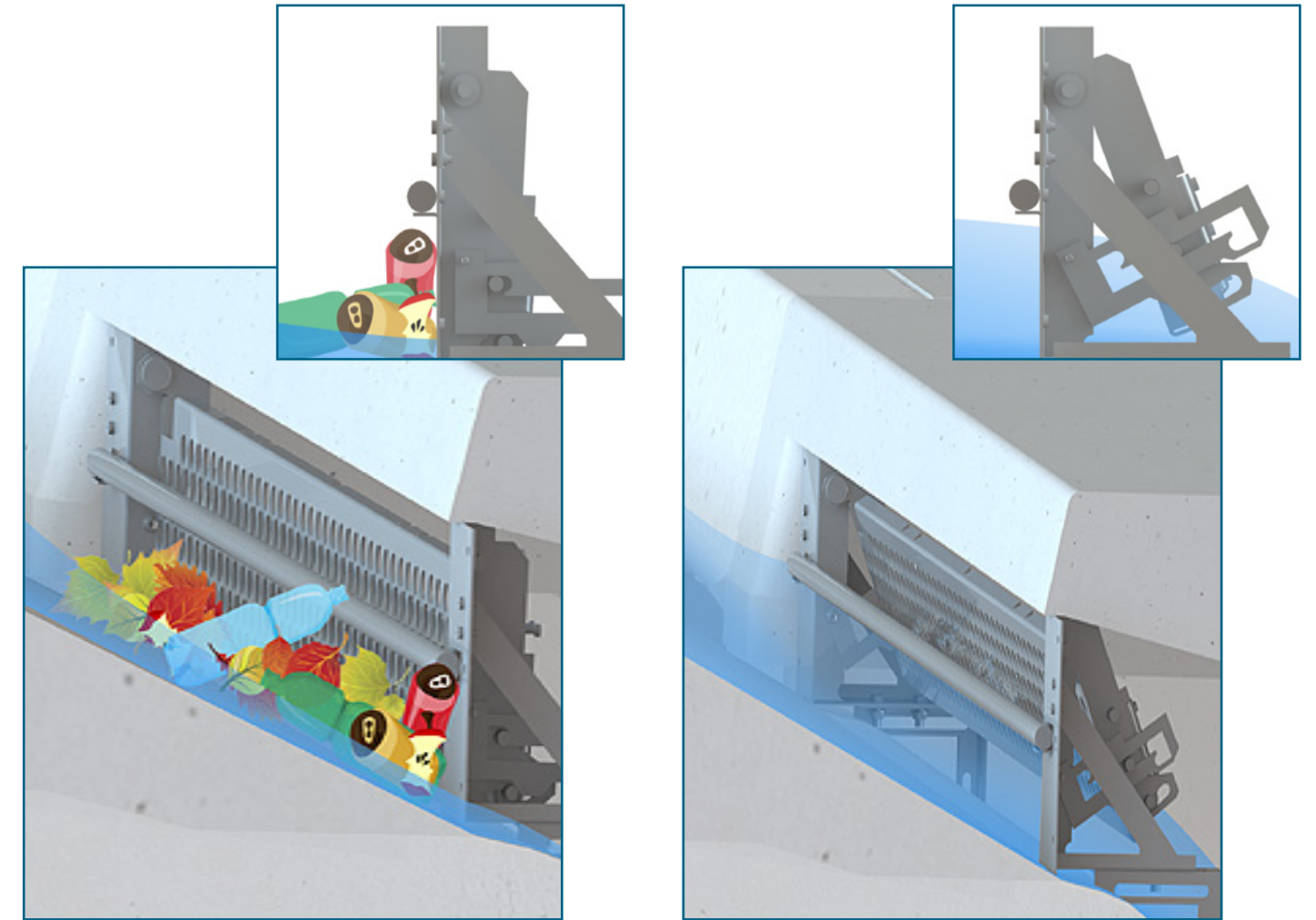
## PERFORMANCE

- REMAINS CLOSED AND LOCKED DURING NORMAL RUNOFF AND LIGHT RAIN
- WATER FLOWS OF APPROXIMATELY 2 INCHES OR MORE WILL UNLOCK AND OPEN THE WATERGATE
- POSITIVE FORCE RETURNS THE WATERGATE TO THE CLOSED AND LOCKED POSITION TO REDUCE THE POSSIBILITY OF DEBRIS BECOMING TRAPPED UNDER THE SCREEN
- INTEGRAL CONTROL ARM PREVENTS OPENING BEYOND OPERATIONAL LIMITS
- IF THE SCREEN IS CLOGGED WITH DEBRIS, THE TOP OVERFLOW DESIGN DIRECTS FLOW ONTO THE ACTUATOR, WHICH HELPS THE UNIT OPEN UNDER THE SCREEN

## ADVANTAGES

- PATENTED FRONT-PIVOT DESIGN PROVIDES A NATURAL POSITIVE CLOSING FORCE - SUPERIOR TO SPRINGS, MAGNETS, AND COUNTER WEIGHTS FOUND IN TRADITIONAL UNITS
- SIMPLICITY OF DESIGN MAKES FOR A MORE COST-EFFECTIVE SOLUTION - ONLY 5 INDIVIDUAL FABRICATED PARTS, 8 TOTAL
- RECEPTORS IN THE CONTROL ARMS ALLOW THE SCREEN TO MANUALLY LOCK OPEN FROM THE STREET. A SIMPLE PUSH UPWARD ON THE SCREEN RETURNS THE UNIT TO NORMAL OPERATION.
- ROUTINE STREET SWEEPING IS THE ONLY MAINTENANCE REQUIRED
- BUILT-IN 1-INCH TO 2-INCH TOP OVERFLOW

# OPERATION



### Closed & Locked Position

During dry weather flows and light to moderate rain, the Watergate ARS prevents trash and debris from entering the catch basin. This allows routine street sweeper maintenance to address trash before it enters the storm drain system.

### Open & Unlocked During Increased Flow

During heavy rain, increased water flows will unlock the screen, allowing it to open only as far as necessary to allow runoff to enter the catch basin and prevent flooding while still blocking larger trash and debris. This patented design prevents clogging and flooding issues often found with fixed-screen systems. After any storm, the screen will return to the closed and locked position automatically.

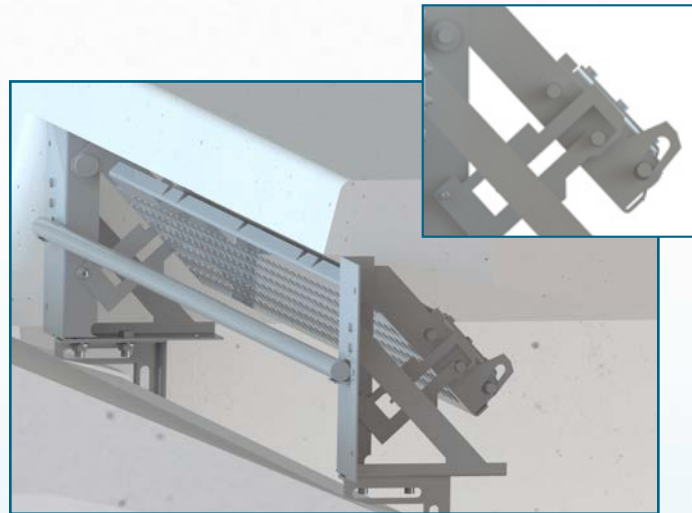
# SPECIFICATIONS

- ALL PARTS ARE TYPE 304 STAINLESS STEEL
- THE SCREEN USES THE INDUSTRY STANDARD 0.75 INCH HOLES IN A PERFORATED PATTERN, WHICH IS 50% OPEN
- BUILT-IN 0.75 INCH DIAMETER STAINLESS STEEL CHILD PROTECTION BAR
- DUE TO THE HIGH TOLERANCE OF FABRICATION UTILIZING LASER AND CNC TURRET, NO ADJUSTMENT POINTS ARE NEEDED

# MAINTENANCE



The Watergate ARS is durable enough to handle routine street sweeping, and it is the only maintenance necessary. It will remain closed and locked during routine street sweeping and is not affected by the sweeping brushes.



For added peace of mind, the screen can be manually locked open before large storm events. This lock is easily engaged and disengaged by hand, via receptors in the control arms.

**Bio Clean**  
A Forterra Company

5796 Armada Drive Suite 250  
Carlsbad, CA 92008  
855.566.3938  
stormwater@forterrabp.com  
biocleanenvironmental.com