

BIO CLEAN 6" DIA DOWNSPOUT FILTER – Screen Type

PATENTED
AND PATENTS PENDING

.83 SQ FT FILTER
SURFACE AREA

TREATMENT FLOW RATE
= .56 CFS

BYPASS FLOW RATE
= 1.26 CFS

FILTER INSERT
Stainless Steel

FILTER SCREEN

BioSorb HYDROCARBON BOOM

FILTER HOUSING
O.D. 6 $\frac{5}{8}$ "

HANDLES

12 $\frac{3}{16}$ "
TOTAL
HEIGHT

For Model#
BC-DF2

2" LISTED
ADAPTER

4" LISTED
ADAPTER

For Model#
BC-DF4

HIGH FLOW
BYPASS

NOTES

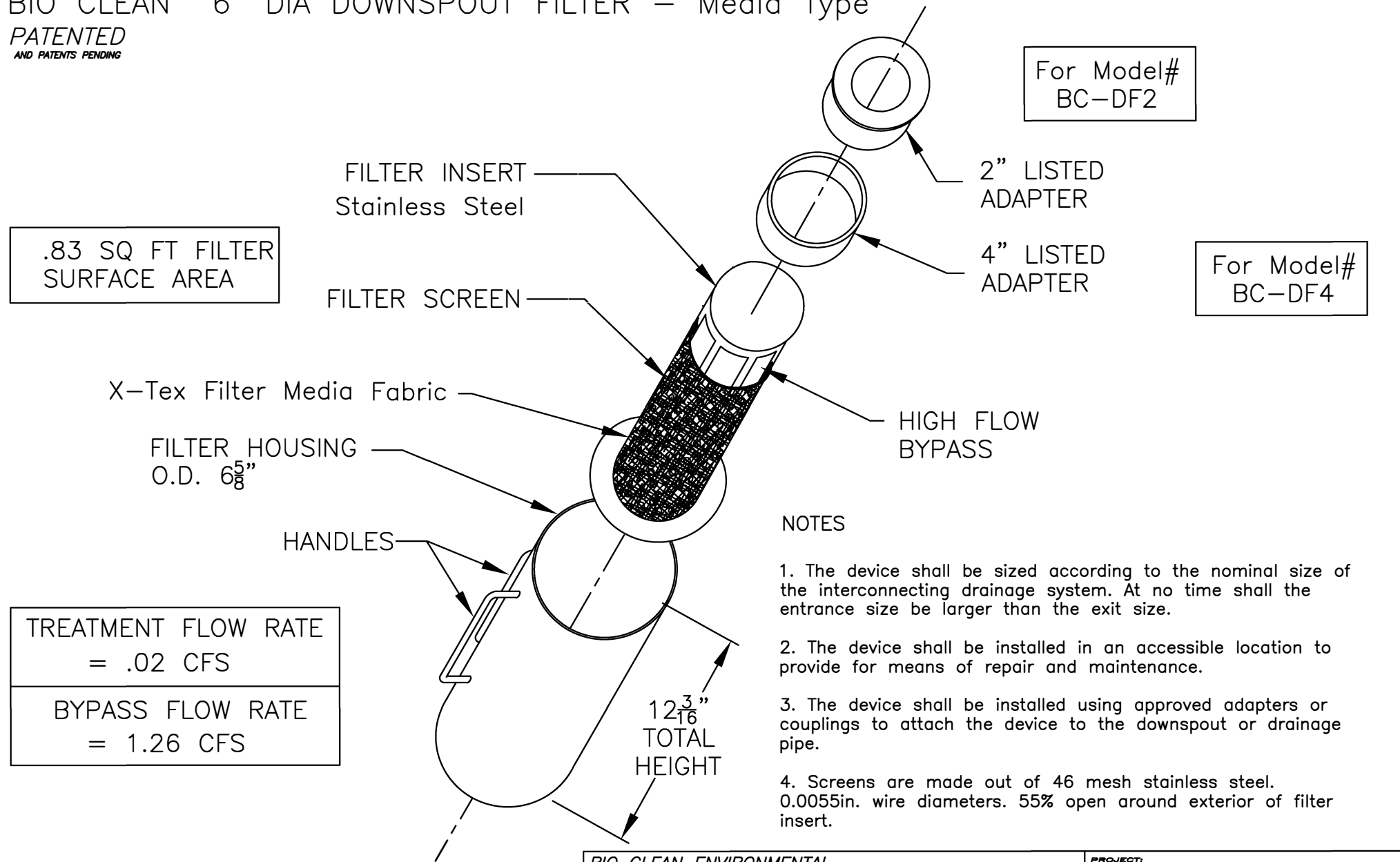
1. The device shall be sized according to the nominal size of the interconnecting drainage system. At no time shall the entrance size be larger than the exit size.
2. The device shall be installed in an accessible location to provide for means of repair and maintenance.
3. The device shall be installed using approved adapters or couplings to attach the device to the downspout or drainage pipe.
4. Screens are made out of 46 mesh stainless steel. 0.0055in. wire diameters. 55% open around exterior of filter insert.



| | | | |
|---|----------------|----------------|--|
| BIO CLEAN ENVIRONMENTAL PO BOX 869, OCEANSIDE, CA P 760.433.7640 F 760.433.3179 | | PROJECT: | |
| 6" DOWNSPOUT FILTER SCREEN TYPE MODEL NO. BC-DF2, BC-DF4 | | DRAWING #: | |
| DATE: 9/6/2012 | | FILE NAME: | |
| SCALE: NTS | REVISIONS: LM | DATE: 9/6/2012 | |
| DRAFTER: T.H.H. | UNITS = INCHES | DATE: | |

BIO CLEAN 6" DIA DOWNSPOUT FILTER – Media Type

PATENTED
AND PATENTS PENDING



| |
|----------------------------------|
| TREATMENT FLOW RATE = .02 CFS |
| BYPASS FLOW RATE = 1.26 CFS |

NOTES

1. The device shall be sized according to the nominal size of the interconnecting drainage system. At no time shall the entrance size be larger than the exit size.
2. The device shall be installed in an accessible location to provide for means of repair and maintenance.
3. The device shall be installed using approved adapters or couplings to attach the device to the downspout or drainage pipe.
4. Screens are made out of 46 mesh stainless steel. 0.0055in. wire diameters. 55% open around exterior of filter insert.



| | | | |
|---|----------------|------------|-----------------|
| BIO CLEAN ENVIRONMENTAL PO BOX 869, OCEANSIDE, CA P 760.433.7640 F 760.433.3179 | | PROJECT: | |
| 6" DOWNSPOUT FILTER MEDIA TYPE MODEL NO. BC-DF2, BC-DF4 | | DRAWING #: | |
| DATE: 12/4/2012 | SCALE: NTS | REVISIONS: | DATE: 12/4/2012 |
| DRAFTER: T.H.H. | UNITS = INCHES | LM | |
| | | REVISIONS: | DATE: |

BIO CLEAN 8" DIA DOWNSPOUT FILTER – Screen Type

PATENTED
AND PATENTS PENDING

1.3 SQ FT FILTER SURFACE AREA

FILTER INSERT
Stainless Steel

FILTER SCREEN

BioSorb HYDROCARBON BOOM

FILTER HOUSING
O.D. 8 $\frac{5}{8}$ "

HANDLES

TREATMENT FLOW RATE
= 1.14 CFS

BYPASS FLOW RATE
= 2.25 CFS

16 $\frac{1}{4}$ "
TOTAL
HEIGHT

For Model#
BC-DF6

6" LISTED
ADAPTER

8" LISTED
ADAPTER

For Model#
BC-DF8

HIGH FLOW
BYPASS

NOTES

1. The device shall be sized according to the nominal size of the interconnecting drainage system. At no time shall the entrance size be larger than the exit size.
2. The device shall be installed in an accessible location to provide for means of repair and maintenance.
3. The device shall be installed using approved adapters or couplings to attach the device to the downspout or drainage pipe.
4. Screens are made out of 46 mesh stainless steel. 0.0055in. wire diameters. 55% open around exterior of filter insert.



| | | | |
|---|----------------|-----------------|-------|
| BIO CLEAN ENVIRONMENTAL PO BOX 869, OCEANSIDE, CA P 760.433.7640 F 760.433.3179 | | PROJECT: | |
| 8" DOWNSPOUT FILTER SCREEN TYPE MODEL NO. BC-DF6, BC-DF8 | | DRAWING #: | |
| DATE: 8/30/2012 | | FILE NAME: | |
| SCALE: NTS | REVISIONS: LM | DATE: 8/30/2012 | |
| DRAFTER: T.H.H. | UNITS = INCHES | REVISIONS: | DATE: |

BIO CLEAN 8" DIA DOWNSPOUT FILTER – Media Type

PATENTED
AND PATENTS PENDING

1.3 SQ FT FILTER
SURFACE AREA

FILTER INSERT
Stainless Steel

FILTER SCREEN

X-*Tex* Filter Media Fabric

FILTER HOUSING
O.D. 8⁵/₈"

HANDLES

TREATMENT FLOW RATE
= 0.05 CFS

BYPASS FLOW RATE
= 2.25 CFS

16¹/₄"
TOTAL
HEIGHT

For Model#
BC-DF6

6" LISTED
ADAPTER

8" LISTED
ADAPTER

For Model#
BC-DF8

HIGH FLOW
BYPASS

NOTES

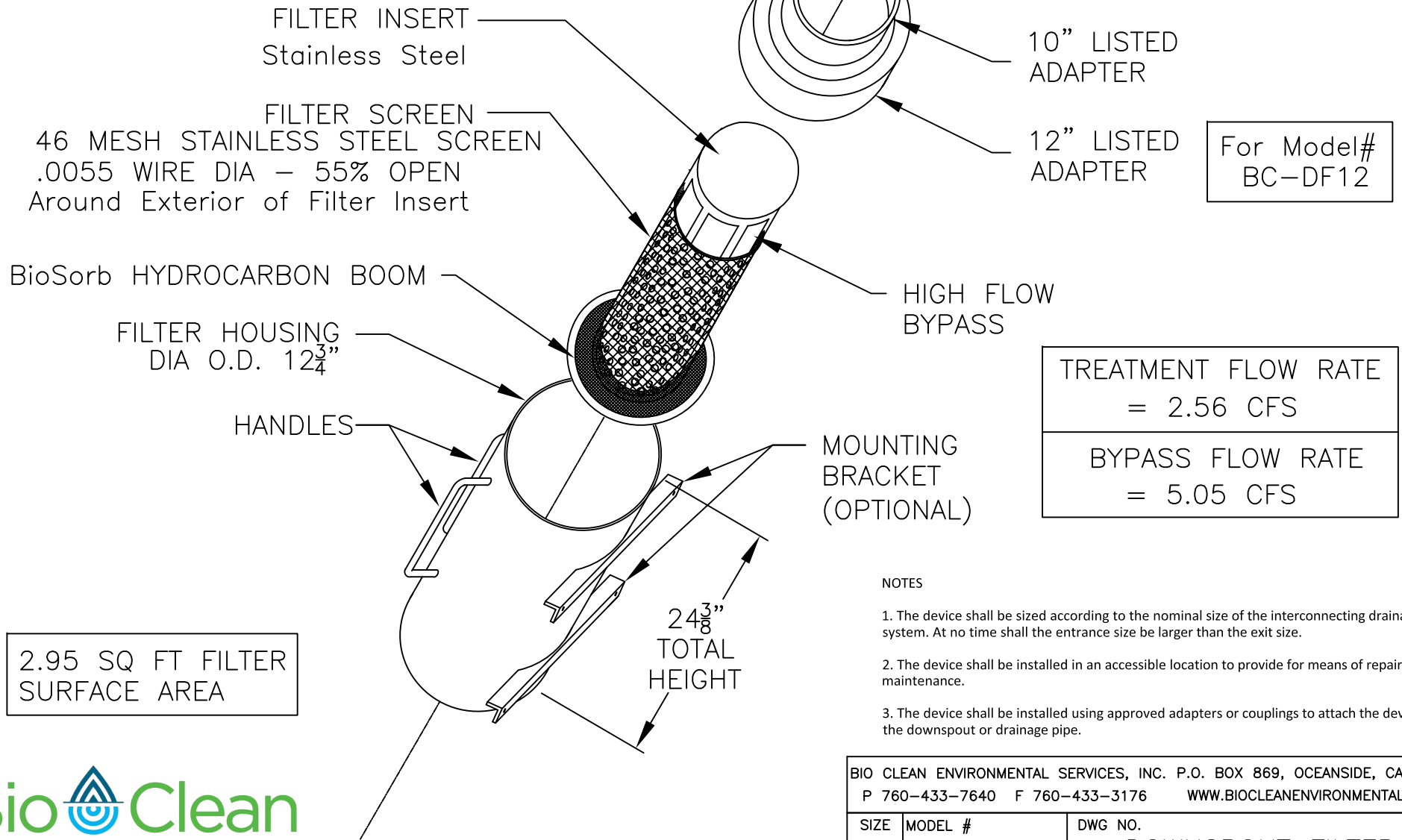
1. The device shall be sized according to the nominal size of the interconnecting drainage system. At no time shall the entrance size be larger than the exit size.
2. The device shall be installed in an accessible location to provide for means of repair and maintenance.
3. The device shall be installed using approved adapters or couplings to attach the device to the downspout or drainage pipe.
4. Screens are made out of 46 mesh stainless steel. 0.0055in. wire diameters. 55% open around exterior of filter insert.



| | | | |
|---|----------------|------------------|---------------------|
| BIO CLEAN ENVIRONMENTAL PO BOX 869, OCEANSIDE, CA P 760.433.7640 F 760.433.3179 | | PROJECT: | |
| 8" DOWNSPOUT FILTER MEDIA TYPE MODEL NO. BC-DF6, BC-DF8 | | DRAWING #: | |
| DATE: 12/18/2012 | SCALE: NTS | REVISIONS: LM | DATE: 12/18/2012 |
| DRAFTER: T.H.H. | UNITS = INCHES | REVISIONS: | DATE: |

BIO CLEAN 12" DIA DOWNSPOUT FILTER – Screen Type

MODEL #'S
BC-DF10, BC-DF12



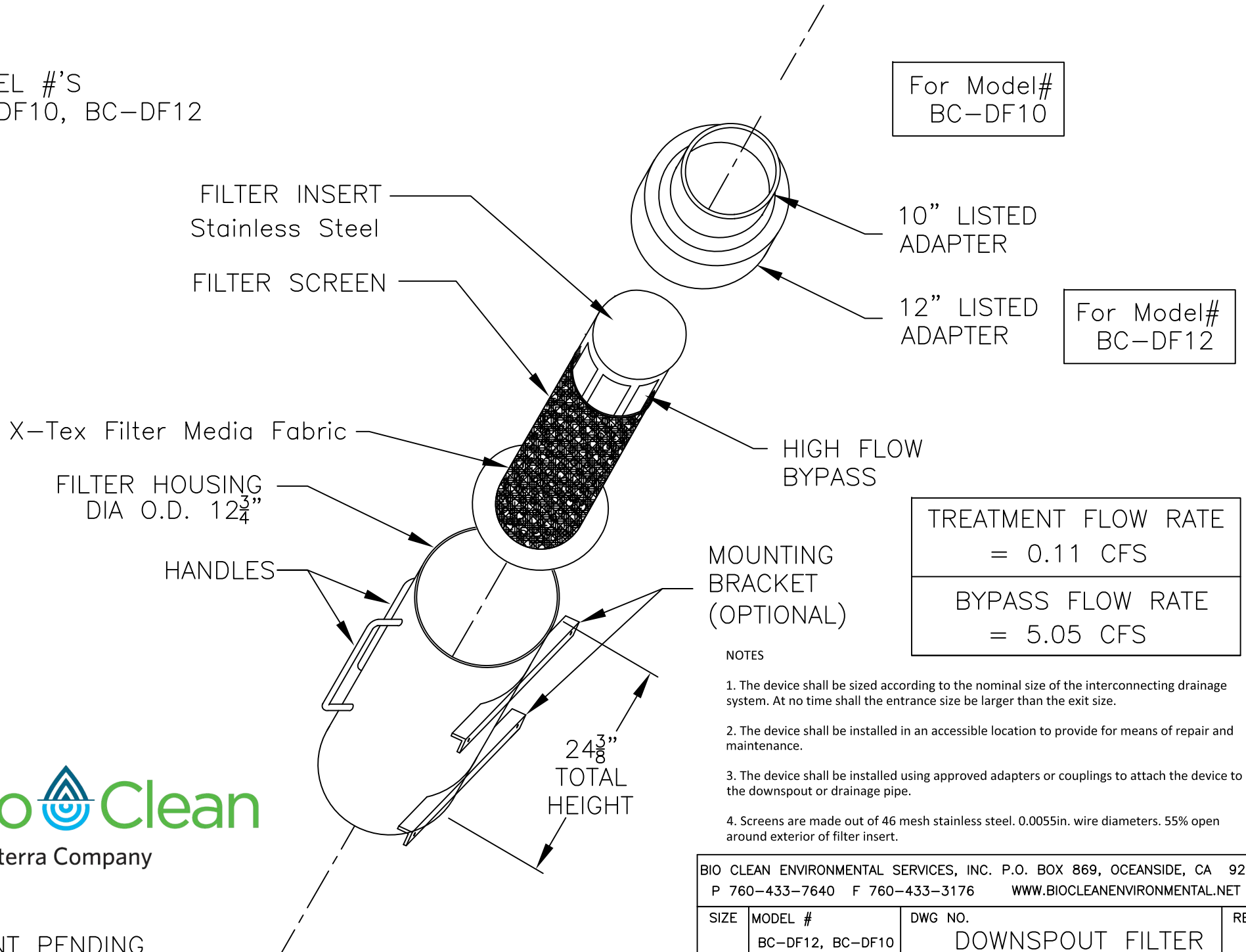
NOTES

1. The device shall be sized according to the nominal size of the interconnecting drainage system. At no time shall the entrance size be larger than the exit size.
2. The device shall be installed in an accessible location to provide for means of repair and maintenance.
3. The device shall be installed using approved adapters or couplings to attach the device to the downspout or drainage pipe.

| | | | |
|-------|------------------|------------------|--------------|
| SIZE | MODEL # | DWG NO. | REV |
| | BC-DF12, BC-DF10 | DOWNSPOUT FILTER | |
| SCALE | N.T.S. | | SHEET 1 OF 1 |

BIO CLEAN 12" DIA DOWNSPOUT FILTER – Media Type

MODEL #'S
BC-DF10, BC-DF12



For Model#
BC-DF10

10" LISTED
ADAPTER

12" LISTED
ADAPTER

For Model#
BC-DF12

| |
|-----------------------------------|
| TREATMENT FLOW RATE = 0.11 CFS |
| BYPASS FLOW RATE = 5.05 CFS |

NOTES

1. The device shall be sized according to the nominal size of the interconnecting drainage system. At no time shall the entrance size be larger than the exit size.
2. The device shall be installed in an accessible location to provide for means of repair and maintenance.
3. The device shall be installed using approved adapters or couplings to attach the device to the downspout or drainage pipe.
4. Screens are made out of 46 mesh stainless steel. 0.0055in. wire diameters. 55% open around exterior of filter insert.



PATENT PENDING

| | | | |
|--|------------------|------------------|--------|
| BIO CLEAN ENVIRONMENTAL SERVICES, INC. P.O. BOX 869, OCEANSIDE, CA 92049 | | | |
| P 760-433-7640 F 760-433-3176 WWW.BIOCLEANENVIRONMENTAL.NET | | | |
| SIZE | MODEL # | DWG NO. | REV |
| | BC-DF12, BC-DF10 | DOWNSPOUT FILTER | |
| SCALE | N.T.S. | SHEET | 1 OF 1 |