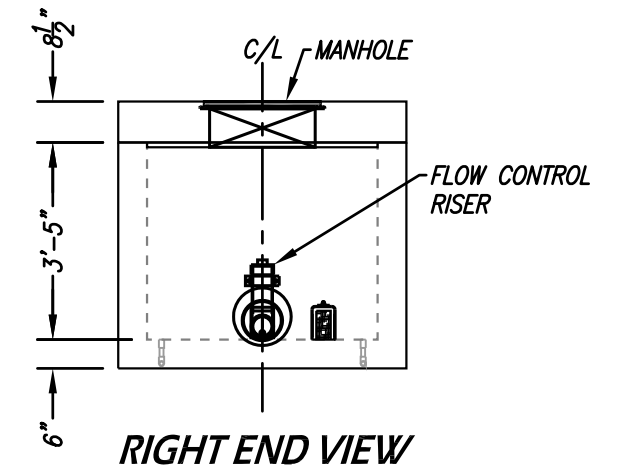
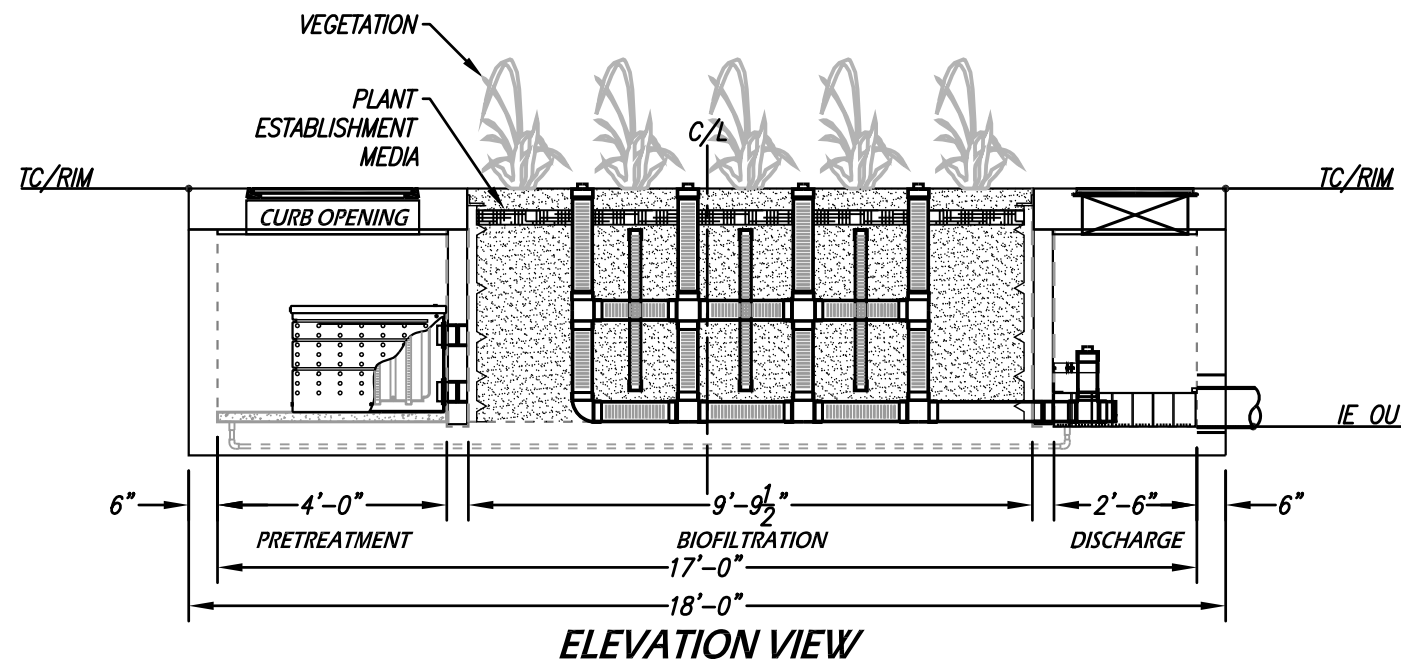
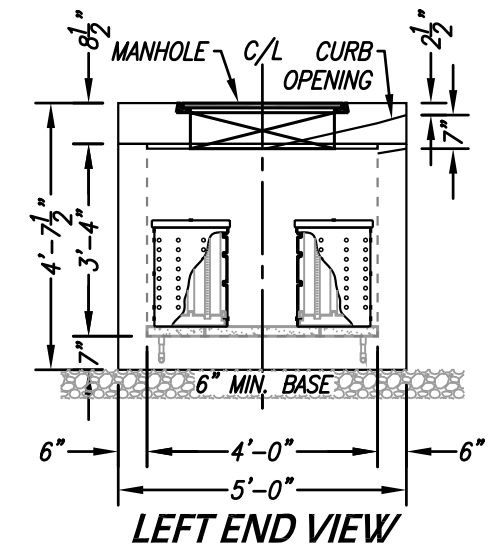
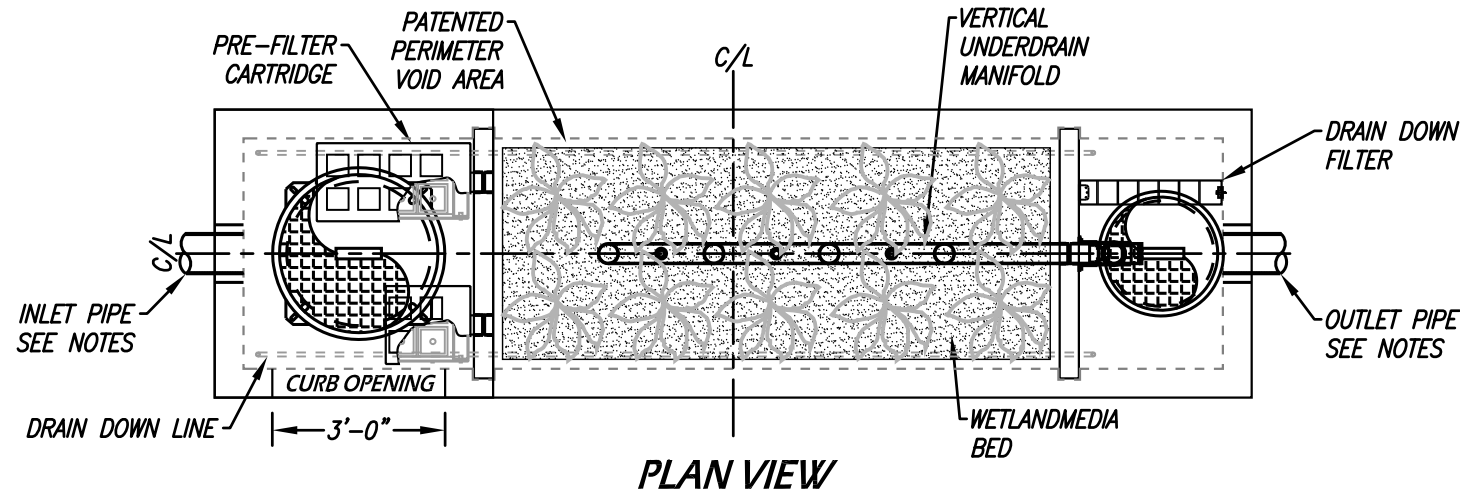


| SITE SPECIFIC DATA | | | |
|--|--------------|------------------|-----------|
| PROJECT NAME | | | |
| PROJECT LOCATION | | | |
| STRUCTURE ID | | | |
| TREATMENT REQUIRED | | | |
| VOLUME BASED (CF) | | FLOW BASED (CFS) | |
| TREATMENT HGL AVAILABLE (FT) | | | |
| PEAK BYPASS REQUIRED (CFS) - IF APPLICABLE | | | |
| PIPE DATA | I.E. | MATERIAL | DIAMETER |
| INLET PIPE 1 | | | |
| INLET PIPE 2 | | | |
| OUTLET PIPE | | | |
| | PRETREATMENT | BIOFILTRATION | DISCHARGE |
| RIM ELEVATION | | | |
| SURFACE LOAD | PARKWAY | OPEN PLANTER | PARKWAY |
| FRAME & COVER | Ø30" | N/A | Ø24" |
| WETLANDMEDIA VOLUME (CY) | 5.41 | | |
| WETLANDMEDIA DELIVERY METHOD | TBD | | |
| ORIFICE SIZE (DIA. INCHES) | Ø2.05" | | |
| MAXIMUM PICK WEIGHT (LBS) | 36000 | | |
| NOTES: | | | |



INSTALLATION NOTES

- CONTRACTOR TO PROVIDE ALL LABOR, EQUIPMENT, MATERIALS AND INCIDENTALS REQUIRED TO OFFLOAD AND INSTALL THE SYSTEM AND APPURTENANCES IN ACCORDANCE WITH THIS DRAWING AND THE MANUFACTURERS SPECIFICATIONS, UNLESS OTHERWISE STATED IN MANUFACTURERS CONTRACT.
- UNIT MUST BE INSTALLED ON LEVEL BASE. MANUFACTURER RECOMMENDS A MINIMUM 6" LEVEL ROCK BASE UNLESS SPECIFIED BY THE PROJECT ENGINEER. CONTRACTOR IS RESPONSIBLE TO VERIFY PROJECT ENGINEERS RECOMMENDED BASE SPECIFICATIONS.
- ALL PIPES MUST BE FLUSH WITH INSIDE SURFACE OF CONCRETE. (PIPES CANNOT INTRUDE BEYOND FLUSH). INVERT OF OUTFLOW PIPE MUST BE FLUSH WITH DISCHARGE CHAMBER FLOOR. ALL GAPS AROUND PIPES SHALL BE SEALED WATER TIGHT WITH A NON-SHRINK GROUT PER MANUFACTURERS STANDARD CONNECTION DETAIL AND SHALL MEET OR EXCEED REGIONAL PIPE CONNECTION STANDARDS.
- CONTRACTOR TO SUPPLY AND INSTALL ALL EXTERNAL CONNECTING PIPES.
- CONTRACTOR RESPONSIBLE FOR INSTALLATION OF ALL RISERS, MANHOLES, AND HATCHES. CONTRACTOR TO GROUT ALL MANHOLES AND HATCHES TO MATCH FINISHED SURFACE UNLESS SPECIFIED OTHERWISE.
- DRIP OR SPRAY IRRIGATION REQUIRED ON ALL UNITS WITH VEGETATION.

GENERAL NOTES

- MANUFACTURER TO PROVIDE ALL MATERIALS UNLESS OTHERWISE NOTED.
- ALL DIMENSIONS, ELEVATIONS, SPECIFICATIONS AND CAPACITIES ARE SUBJECT TO CHANGE. FOR PROJECT SPECIFIC DRAWINGS DETAILING EXACT DIMENSIONS, WEIGHTS AND ACCESSORIES PLEASE CONTACT MANUFACTURER.

THE PRODUCT DESCRIBED MAY BE PROTECTED BY ONE OR MORE OF THE FOLLOWING US PATENTS: 7,425,262; 7,470,362; 7,674,378; 8,303,816; RELATED FOREIGN PATENTS OR OTHER PATENTS PENDING

PROPRIETARY AND CONFIDENTIAL:

THE INFORMATION CONTAINED IN THIS DRAWING IS THE SOLE PROPERTY OF MODULAR WETLANDS SYSTEMS. ANY REPRODUCTION IN PART OR AS A WHOLE WITHOUT THE WRITTEN PERMISSION OF MODULAR WETLANDS SYSTEMS IS PROHIBITED.



www.ModularWetlands.com | (855) 5MOD-WET

| | |
|-------------------------------------|-------|
| TREATMENT FLOW (CFS) | 0.206 |
| OPERATING HEAD (FT) | 3.4 |
| PRETREATMENT LOADING RATE (GPM/SF) | TBD |
| WETLAND MEDIA LOADING RATE (GPM/SF) | 1.0 |

MWS-L-4-17-C
STORMWATER BIOFILTRATION SYSTEM
STANDARD DETAIL