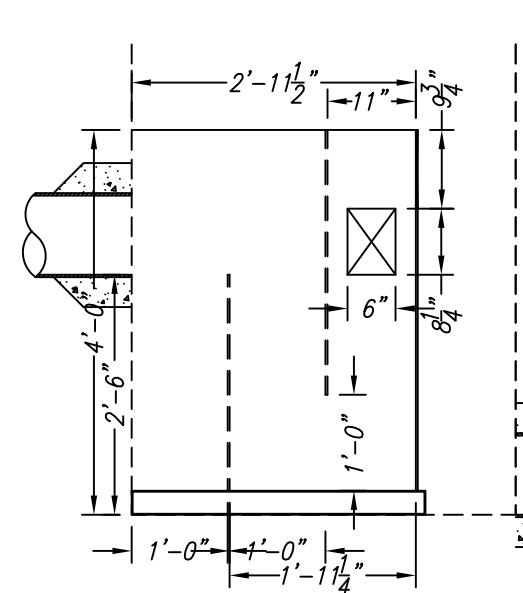
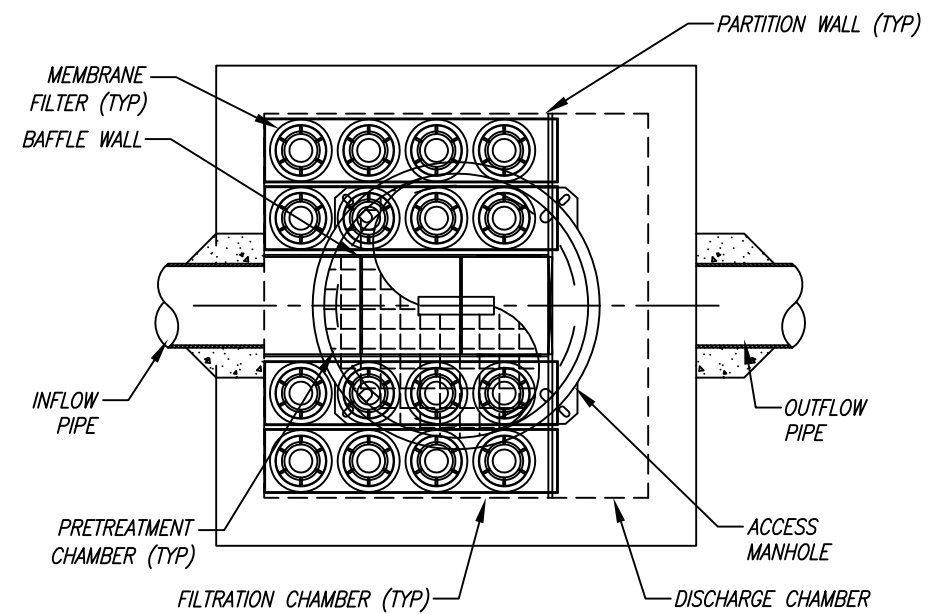


SITE SPECIFIC DATA*			
PROJECT NUMBER			
PROJECT NAME			
PROJECT LOCATION			
STRUCTURE ID			
WATER QUALITY FLOW RATE (CFS)			
PEAK FLOW RATE (CFS)			
PEAK STORM DURATION (YEARS)			
PIPE DATA	I.E.	MATERIAL	DIAMETER
INLET PIPE 1			10"
OUTLET PIPE 1			10"
RIM ELEVATION			
SURFACE LOADING REQUIREMENT			
FRAME AND COVER		ø30"	
CORROSIVE SOIL CONDITIONS			
KNOWN GROUNDWATER ELEVATION			
NOTES:			
*PER ENGINEER OF RECORD			

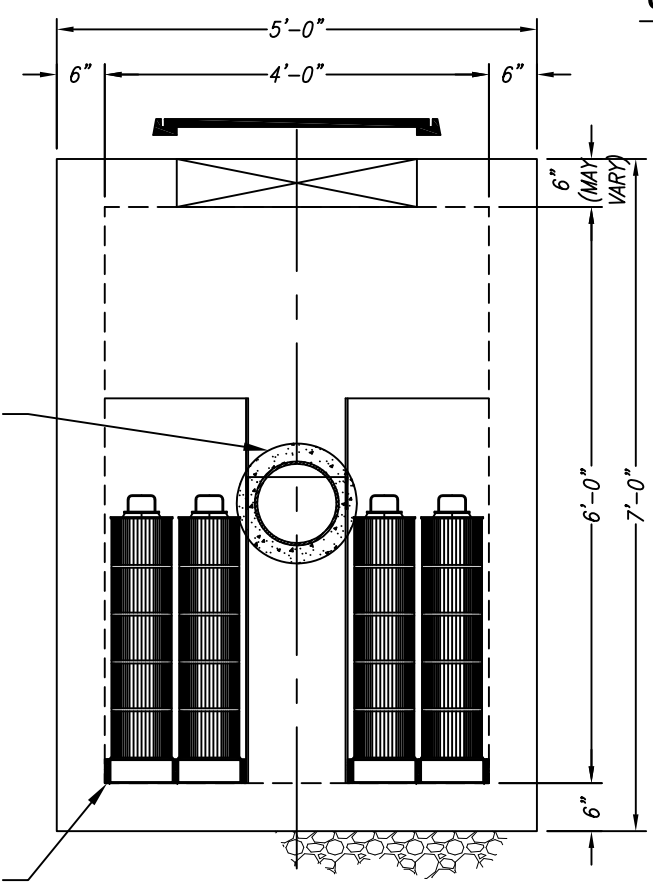
KF PERFORMANCE DATA				
CARTRIDGE HEIGHT (IN)			30.75	
CARTRIDGE FLOW RATE (GPM)			8.50	
NUMBER OF CARTRIDGES			16	
TOTAL TREATMENT FLOW RATE (CFS)			0.30	
SEDIMENT STORAGE CAPACITY (CF)			3.38	
KF STORAGE CAPACITIES				
SEDIMENT CHAMBER CAPACITY				
	LENGTH (FT)	WIDTH (FT)	HEIGHT (FT)	TOTAL (CF)
CHAMBER 1	1.00	1.02	1.50	1.53
CHAMBER 2	1.96	1.02	0.50	1.00
FILTRATION CHAMBER CAPACITY*				
CHAMBER 1	2.96	1.47	0.25	0.42
CHAMBER 2	2.96	1.47	0.25	0.42
*VOLUME OF FILTERS SUBTRACTED IN STORAGE CAPACITY				



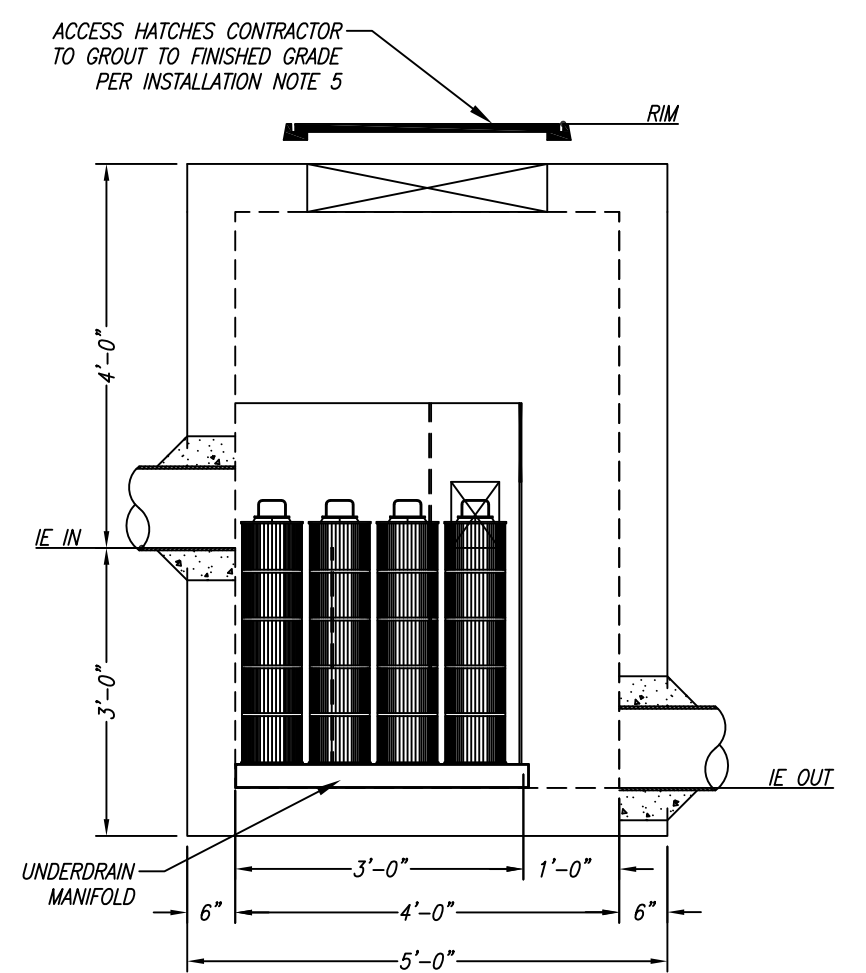
PRETREATMENT CHAMBER SECTION
NTS



PLAN VIEW
NTS



END VIEW
NTS



ELEVATION VIEW
NTS

GENERAL NOTES

- BIO CLEAN TO PROVIDE ALL MATERIALS UNLESS OTHERWISE NOTED.
- ALL DIMENSIONS, ELEVATIONS, SPECIFICATIONS, AND CAPACITIES ARE SUBJECT TO CHANGE. FOR PROJECT SPECIFIC DRAWINGS DETAILING EXACT DIMENSIONS, WEIGHTS, AND ACCESSORIES PLEASE CONTACT BIO CLEAN.

INSTALLATION NOTES

- CONTRACTOR TO PROVIDE ALL LABOR, EQUIPMENT, MATERIALS, AND INCIDENTALS REQUIRED TO OFFLOAD AND INSTALL THE KF UNIT AND APPURTENANCES IN ACCORDANCE WITH THIS DRAWING AND THE MANUFACTURERS SPECIFICATIONS, UNLESS OTHERWISE STATED IN MANUFACTURERS CONTRACT.
- MANUFACTURER RECOMMENDS A 6"-12" LEVEL ROCK BASE UNLESS SPECIFIED BY THE PROJECT ENGINEER. CONTRACTOR IS RESPONSIBLE TO VERIFY PROJECT ENGINEERS RECOMMENDED BASE SPECIFICATIONS.
- ALL PIPES MUST BE FLUSH WITH INSIDE SURFACE OF CONCRETE. (PIPES CANNOT INTRUDE BEYOND FLUSH).
- ALL GAPS AROUND PIPES SHALL BE SEALED WATER TIGHT WITH A NON-SHRINK GROUT PER MANUFACTURERS STANDARD CONNECTION DETAIL AND SHALL MEET OR EXCEED REGIONAL PIPE CONNECTION STANDARDS.
- CONTRACTOR RESPONSIBLE FOR INSTALLATION OF ALL RISERS, MANHOLES, AND HATCHES. ALL COVERS SHALL BE SHIPPED LOOSE. CONTRACTOR TO GROUT ALL MANHOLES AND HATCHES TO MATCH FINISHED SURFACE UNLESS SPECIFIED OTHERWISE.

11/13/17SSERTICH

NOT FOR CONSTRUCTION	<small>PROPRIETARY AND CONFIDENTIAL:</small> <small>THE INFORMATION CONTAINED IN THIS DRAWING IS THE SOLE PROPERTY OF BIO CLEAN ENVIRONMENTAL SERVICES, INC. ANY REPRODUCTION IN PART OR AS A WHOLE WITHOUT THE WRITTEN PERMISSION OF BIO CLEAN ENVIRONMENTAL SERVICES, INC. IS PROHIBITED.</small>	 Bio Clean <small>A Forterra Company</small>	KF-4-4 MEMBRANE FILTRATION SYSTEM WITH PRETREATMENT STANDARD DETAIL
-----------------------------	--	--	--