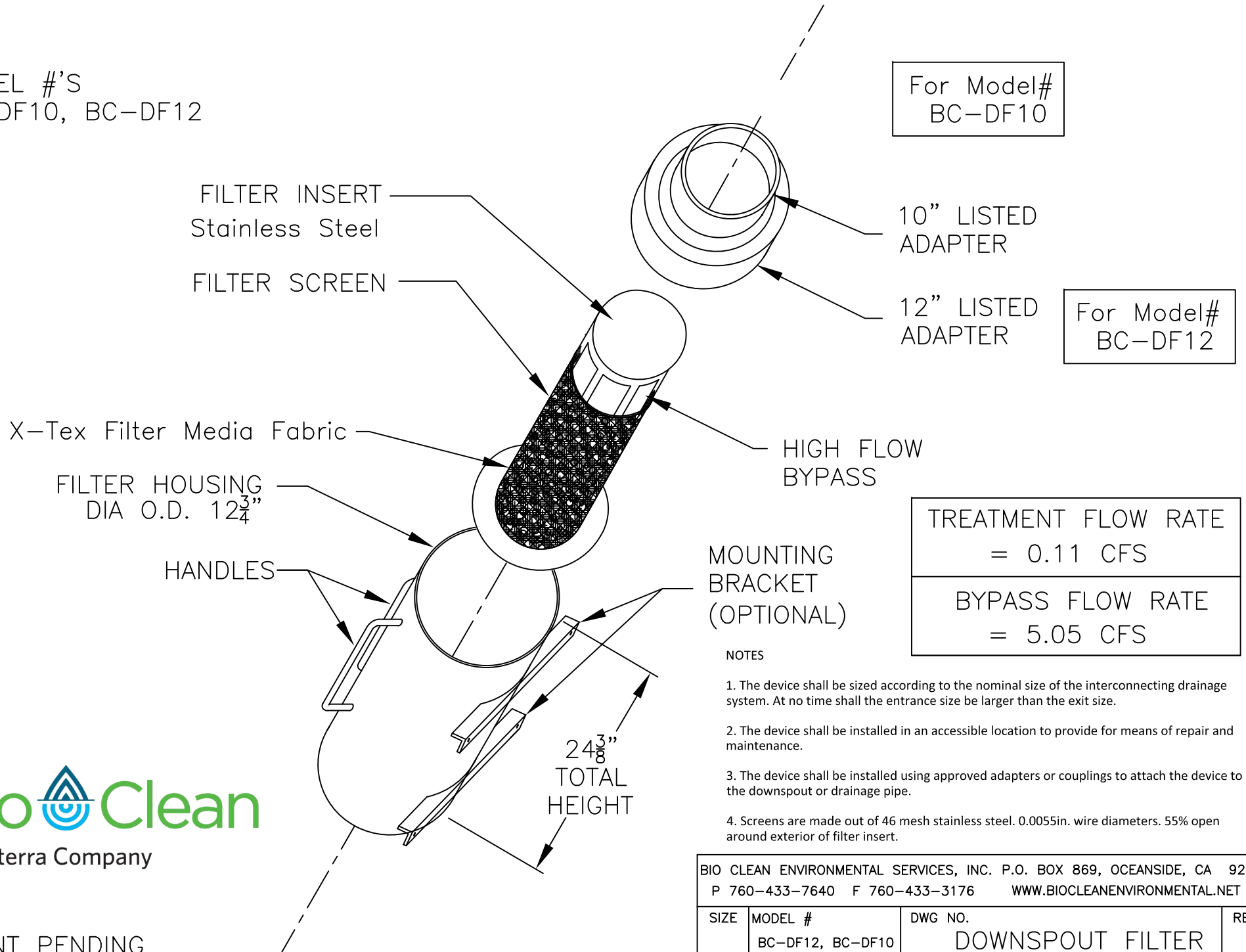


BIO CLEAN 12" DIA DOWNSPOUT FILTER – Media Type

MODEL #'S
BC-DF10, BC-DF12



For Model#
BC-DF10

10" LISTED
ADAPTER

12" LISTED
ADAPTER

For Model#
BC-DF12

TREATMENT FLOW RATE = 0.11 CFS
BYPASS FLOW RATE = 5.05 CFS

NOTES

1. The device shall be sized according to the nominal size of the interconnecting drainage system. At no time shall the entrance size be larger than the exit size.
2. The device shall be installed in an accessible location to provide for means of repair and maintenance.
3. The device shall be installed using approved adapters or couplings to attach the device to the downspout or drainage pipe.
4. Screens are made out of 46 mesh stainless steel. 0.0055in. wire diameters. 55% open around exterior of filter insert.



PATENT PENDING

BIO CLEAN ENVIRONMENTAL SERVICES, INC. P.O. BOX 869, OCEANSIDE, CA 92049			
P 760-433-7640 F 760-433-3176 WWW.BIOCLEANENVIRONMENTAL.NET			
SIZE	MODEL #	DWG NO.	REV
	BC-DF12, BC-DF10	DOWNSPOUT FILTER	
SCALE	N.T.S.	SHEET	1 OF 1