

BIO CLEAN SCREENING FILTER WITH TROUGH SYSTEM

FOR USE IN CURB INLETS

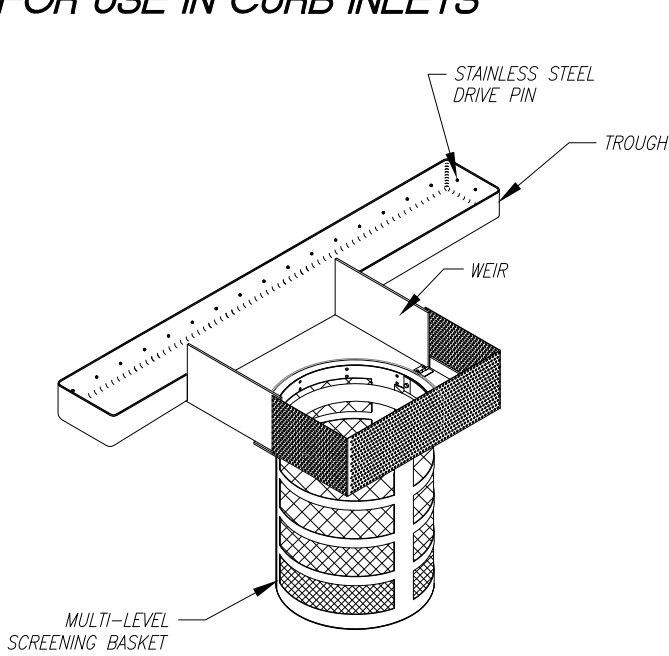


FIGURE 1:
DETAIL OF PARTS

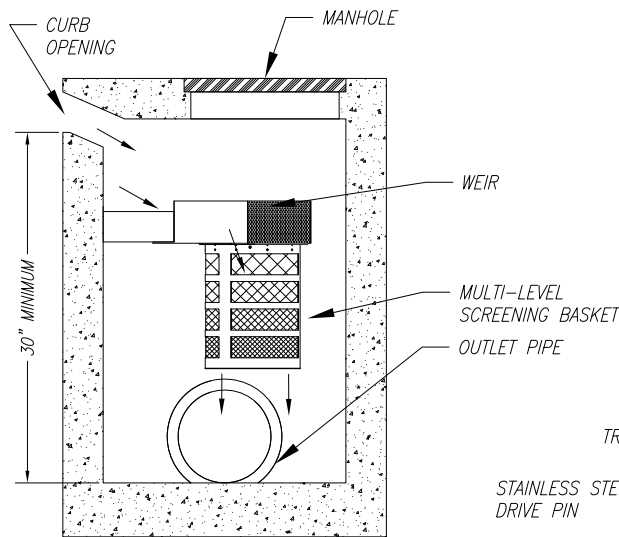


FIGURE 4:
DETAIL OF PROFILE

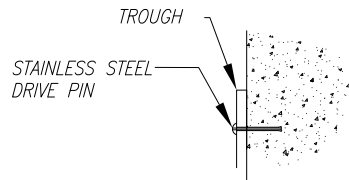


FIGURE 3:
DETAIL OF MOUNTING

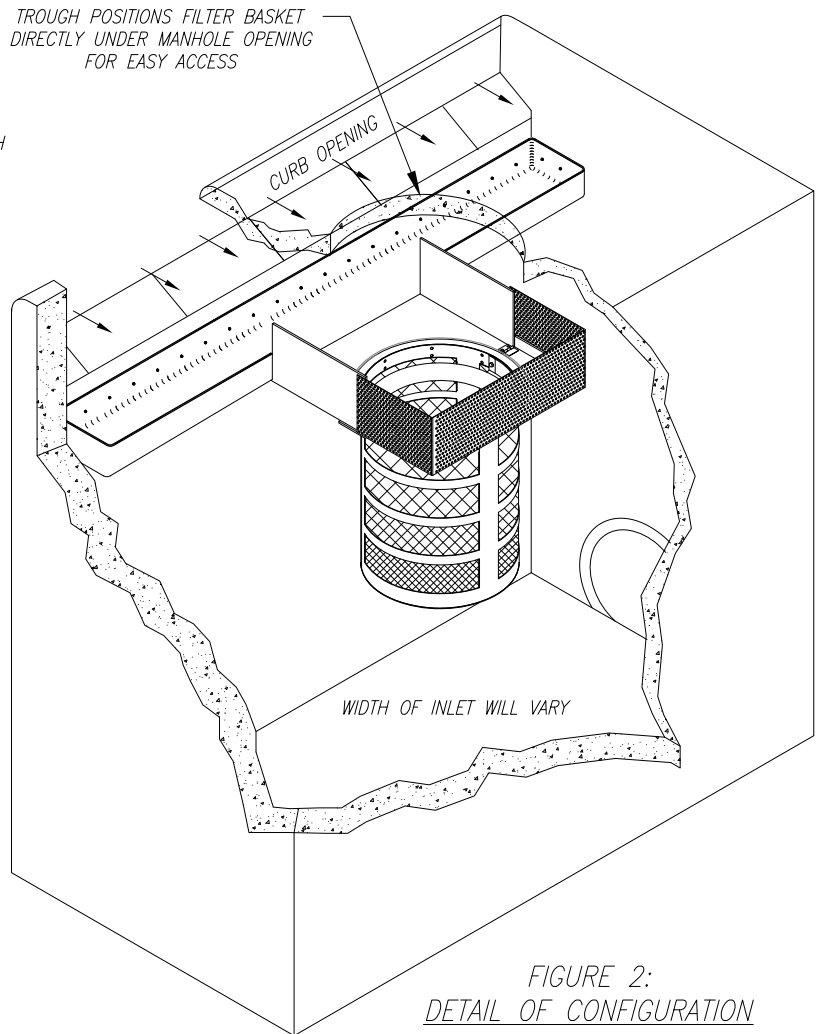


FIGURE 2:
DETAIL OF CONFIGURATION

NOTES:

1. TROUGH SYSTEM PROVIDES FOR ENTIRE COVERAGE OF INLET OPENING SO TO DIVERT ALL FLOW TO FILTER.
2. TROUGH SYSTEM MANUFACTURED FROM MARINE GRADE FIBERGLASS, GEL COATED FOR UV PROTECTION.
3. SYSTEM ATTACHED TO THE CATCH BASIN WITH NON-CORROSIVE HARDWARE.
4. FILTER MANUFACTURED OF 100% STAINLESS STEEL.
5. FILTER MADE OF NON-CLOGGIN SCREEN WITH 4.7 MM OPENINGS AND MEETS FULL CAPTURE REQUIREMENTS.
6. FILTER CAN BE FITTED WITH HYDROCARBON ABSORBENT BOOM
7. FILTER IS LOCATED DIRECTLY UNDER THE MANHOLE FOR EASY REMOVAL AND MAINTENANCE.
8. LENGTH OF TROUGH CAN VARY FROM 2' TO 30'
9. OTHER STANDARD AND CUSTOM MODEL SIZES AVAILABLE - CONTACT BIO CLEAN FOR MORE INFORMATION.
10. CONSIDERS A SAFETY FACTOR OF 2.0
11. BYPASS IS FACILITATED VIA OVERFLOW OF THE TROUGH SYSTEM AND IS EQUAL TO THE CAPACITY OF THE CURB OPENING
12. STORAGE CAPACITY BASED ON THE BASKET HALF FULL.
13. ADDITIONAL TREATMENT AND STORAGE CAPACITY CAN BE ACHIEVED BY UTILIZING MULTIPLE FILTER BASKETS.

MODEL NUMBER	TREATMENT FLOW (cfs)*	SOLIDS STORAGE CAPACITY (cu ft)
BC-CURB-30	2.85	2.21
BC-CURB-24	2.85	1.77
BC-CURB-18	2.85	1.33
BC-CURB-12	2.81	0.88

*SEE PAGE 2 FOR EXPLANATION OF FLOW RATES

DRAWING: BIO CLEAN CURB INLET FILTER DETAILS	
TREATMENT FLOW RATE: 2.85 cfs	
WARRANTY: 5 YEAR MANUFACTURERS	
BIO CLEAN ENVIRONMENTAL SERVICES, INC. 398 VIA EL CENTRO, OCEANSIDE CA 92058 PHONE: 760-433-7640 FAX: 760-433-3176	
DATE: 10/12/2017	SCALE: NTS
DRAFTER: M.C.P.	UNITS = INCHES

MULTI-LEVEL SCREENING	
MODEL #: BC-CURB-MLS	
PROJECT:	
REVISIONS:	DATE:
REVISIONS:	DATE:
REVISIONS:	DATE:
REVISIONS:	DATE:

Bio Clean
A Forterra Company

MODEL # BC-CURB-MLS FILTER

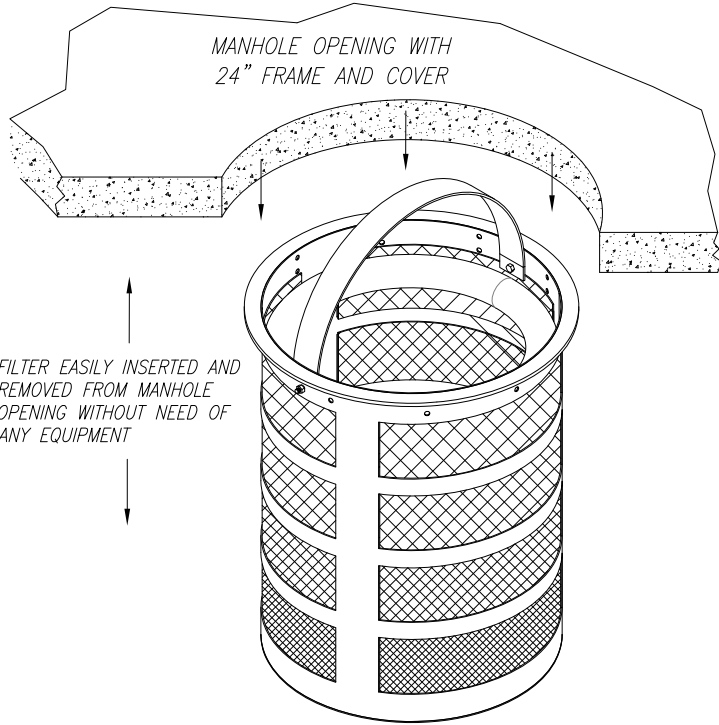


FIGURE 1:
DETAIL OF INSTALLATION

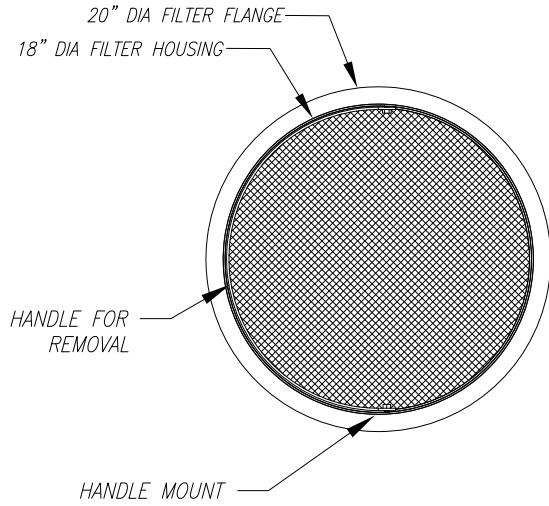


FIGURE 2:
DETAIL OF DIAMETERS

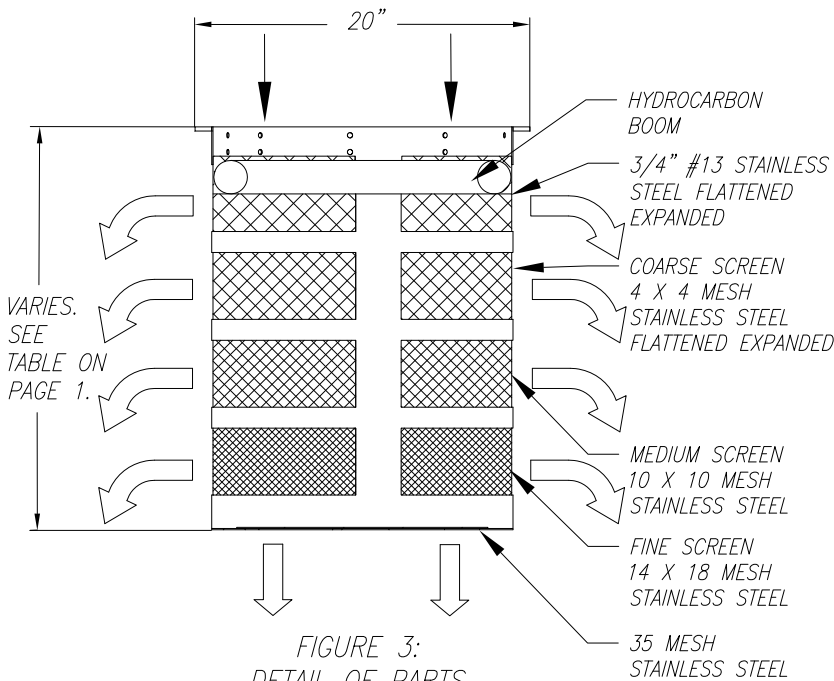


FIGURE 3:
DETAIL OF PARTS

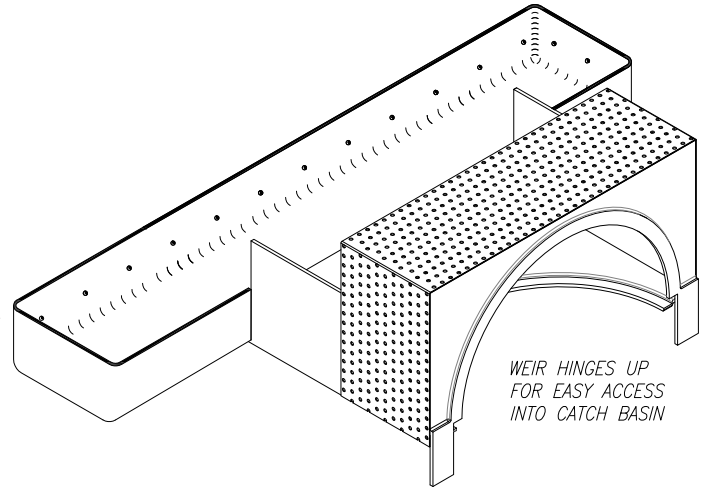


FIGURE 4:
DETAIL OF WEIR

FLOW RATES - CURB FILTER

TREATMENT FLOW RATE	2.85 cfs	SAFETY FACTOR OF 2X
*TREATMENT FLOW RATE IS BASED ON THE CRITICAL POINT OF RESTRICTION, WHICH IS EITHER THE WEIR OR THE SCREEN		WEIR CAPACITY=2.85 CFS SCREEN CAPACITY=4.82 CFS CAPACITIES.
**FLOW RATES CALCULATED USING THE FOLLOWING EQUATION		
$Q = S_0 * c_d * A \sqrt{2 * g * h}$		$c_d = \text{COEFFICIENT OF DISCHARGE} = .62$

DRAWING: BC-CURB-MLS FILTER

MULTI-LEVEL SCREENING

SEE PAGE 1 FOR NOTES

TREATMENT FLOW RATE: 2.85 cfs

MODEL #: BC-CURB-MLS

WARRANTY: 5 YEAR MANUFACTURERS

PROJECT:

BIO CLEAN ENVIRONMENTAL SERVICES, INC.
398 VIA EL CENTRO, OCEANSIDE CA 92058
PHONE: 760-433-7640 FAX: 760-433-3176

REVISIONS:

DATE:

REVISIONS:

DATE:

DATE: 10/12/2017

SCALE: NTS

REVISIONS:

DATE:

DRAFTER: M.C.P.

UNITS = INCHES

REVISIONS:

DATE:

Bio Clean
A Forterra Company

BIO CLEAN SCREENING FILTER WITH TROUGH SYSTEM

FOR USE IN CURB INLETS WITH WINGS

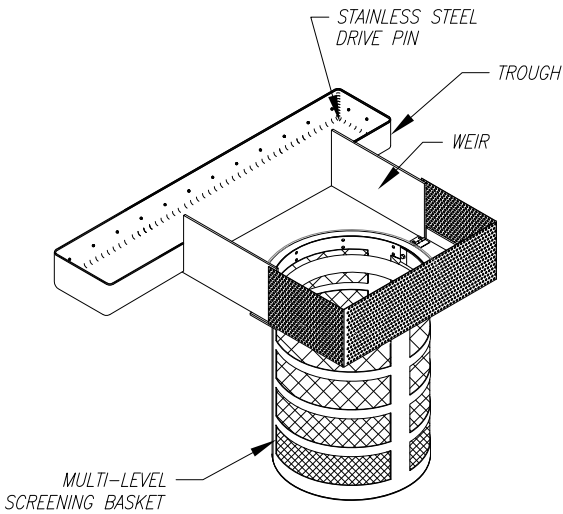


FIGURE 1:
DETAIL OF PARTS

TROUGH POSITIONS FILTER BASKET DIRECTLY UNDER MANHOLE OPENING FOR EASY ACCESS

FIBERGLASS DIVERTER TO CHANNEL ALL WATER FROM WING TO TROUGH

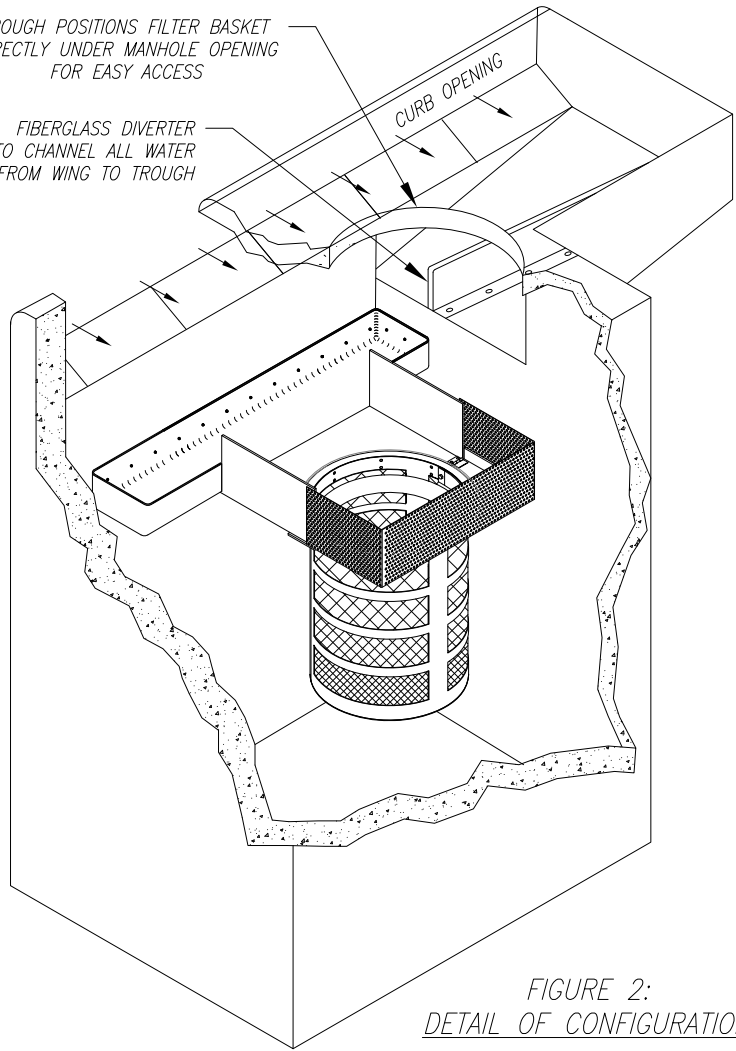


FIGURE 2:
DETAIL OF CONFIGURATION

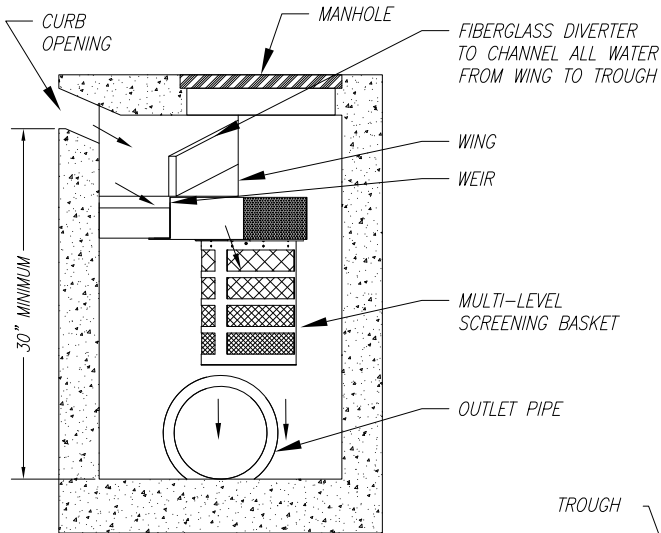


FIGURE 4:
DETAIL OF PROFILE

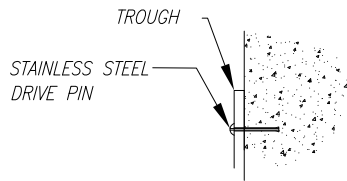


FIGURE 3:
DETAIL OF MOUNTING

NOTES:

1. TROUGH SYSTEM PROVIDES FOR ENTIRE COVERAGE OF INLET OPENING SO TO DIVERT ALL FLOW TO FILTER.
2. TROUGH SYSTEM MANUFACTURED FROM MARINE GRADE FIBERGLASS, GEL COATED FOR UV PROTECTION.
3. SYSTEM ATTACHED TO THE CATCH BASIN WITH NON-CORROSIVE HARDWARE.
4. FILTER MANUFACTURED OF 100% STAINLESS STEEL.
5. FILTER MADE OF NON-CLOGGIN SCREEN WITH 4.7 MM OPENINGS AND MEETS FULL CAPTURE REQUIREMENTS.
6. FILTER CAN BE FITTED WITH HYDROCARBON ABSORBENT BOOM
7. FILTER IS LOCATED DIRECTLY UNDER THE MANHOLE FOR EASY REMOVAL AND MAINTENANCE.
8. LENGTH OF TROUGH CAN VARY FROM 2' TO 30'
9. OTHER STANDARD AND CUSTOM MODEL SIZES AVAILABLE - CONTACT BIO CLEAN FOR MORE INFORMATION.
10. CONSIDERS A SAFETY FACTOR OF 2.0
11. BYPASS IS FACILITATED VIA OVERFLOW OF THE TROUGH SYSTEM AND IS EQUAL TO THE CAPACITY OF THE CURB OPENING
12. STORAGE CAPACITY BASED ON THE BASKET HALF FULL.
13. ADDITIONAL TREATMENT AND STORAGE CAPACITY CAN BE ACHIEVED BY UTILIZING MULTIPLE FILTER BASKETS.

DRAWING: BIO CLEAN CURB INLET FILTER DETAILS		MULTI-LEVEL SCREENING	
TREATMENT FLOW RATE: 2.85 cfs		MODEL #: BC-CURB-MLS	
WARRANTY: 5 YEAR MANUFACTURERS		PROJECT:	
BIO CLEAN ENVIRONMENTAL SERVICES, INC. 398 VIA AL CENTRO, OCEANSIDE CA 92058 PHONE: 760-433-7640 FAX: 760-433-3176		REVISIONS:	DATE:
DATE: 10/12/2017	SCALE: NTS	REVISIONS:	DATE:
DRAFTER: M.C.P.	UNITS = INCHES	REVISIONS:	DATE:

