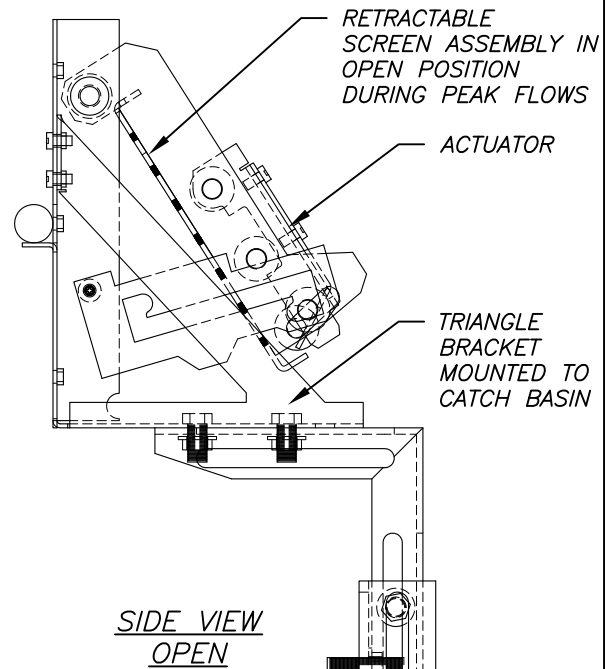
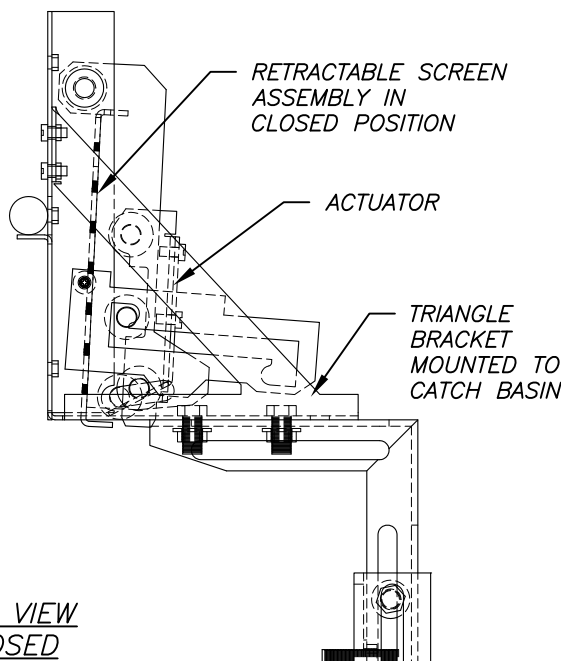
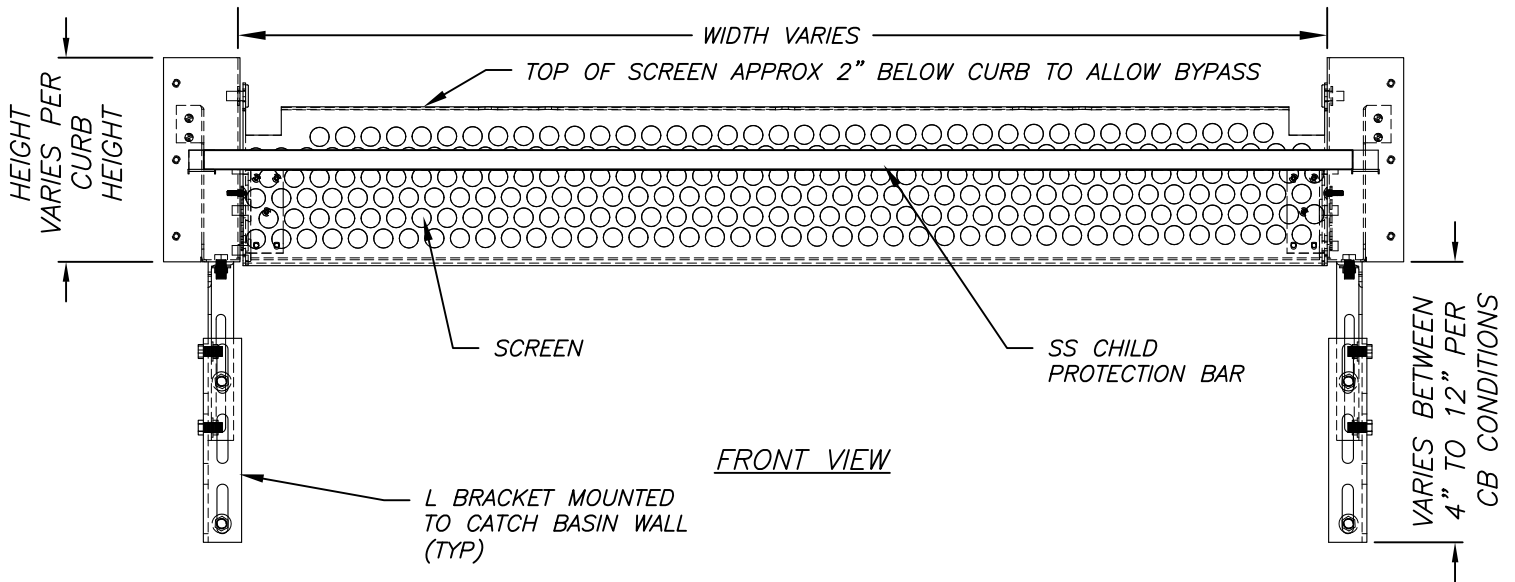


BIO CLEAN WATERGATE ARS



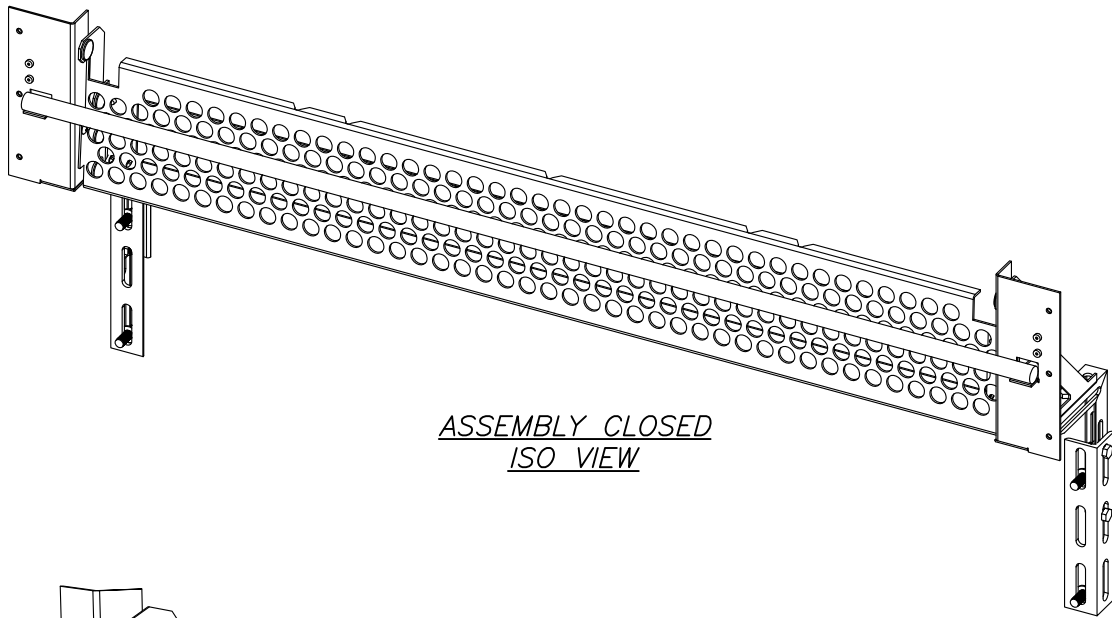
- NOTES:**
1. ALL HARDWARE, FLANGE, AND SCREENS SHALL BE TYPE 304 STAINLESS STEEL.
 2. CUSTOM SIZING FITS ANY CURB OPENING.
 3. ALL SCREENS SHALL BE MANUFACTURED OF STAINLESS STEEL GRADE 304 WITH 3/4" DIAMETER HOLES IN A PERFORATED PATTERN WHICH IS 50% OPEN.
 4. LOCKING MECHANISM KEEPS SCREEN CLOSED UNTIL HEAVY RAIN EVENTS CAUSE APPROXIMATELY 2" OF FLOW TO ACTIVATE ACTUATOR. LOCKING MECHANISM IS UNAFFECTED BY STREET SWEEPER.
 5. POSITIVE FORCE FROM FRONT PIVOT DESIGN FORCES WATERGATE TO CLOSED POSITION.
 6. MOUNTED USING STAINLESS STEEL MUSHROOM HEAD SPIKE ANCHOR.

DRAWING: BIO CLEAN WATERGATE ARS		PATENTED	
MODEL #: SEE TABLE ABOVE			
WARRANTY: 5 YEAR MANUFACTURERS		PROJECT:	
BIO CLEAN ENVIRONMENTAL SERVICES, INC. PO BOX 869 OCEANSIDE, CA 92049 PHONE: 760-433-7640 FAX: 760-433-3176		REVISIONS:	DATE:
DATE: 5/27/16	SCALE: SF = NTS	REVISIONS:	DATE:
DRAFTER: J.B.	UNITS = INCHES	REVISIONS:	DATE:

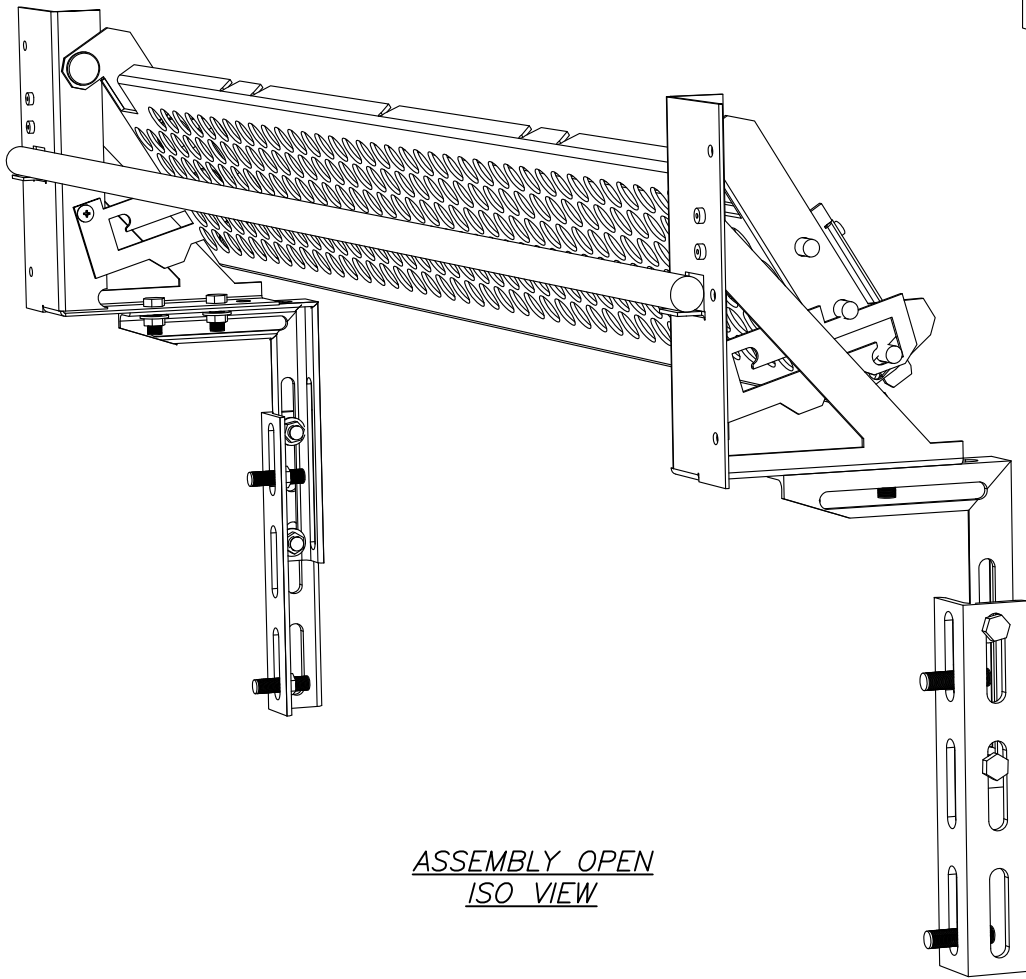


WWW.BIOCLEANENVIRONMENTAL.COM

BIO CLEAN WATERGATE ARS



ASSEMBLY CLOSED
ISO VIEW



ASSEMBLY OPEN
ISO VIEW

DRAWING: BIO CLEAN WATERGATE ARS

PATENTED

WARRANTY: 5 YEAR MANUFACTURERS

PROJECT:

BIO CLEAN ENVIRONMENTAL SERVICES, INC.
PO BOX 869 OCEANSIDE, CA 92049
PHONE: 760-433-7640 FAX: 760-433-3176

REVISIONS:

DATE:

REVISIONS:

DATE:

DATE: 5/27/16

SCALE: SF = NTS

REVISIONS:

DATE:

DRAFTER: J.B.

UNITS = INCHES

REVISIONS:

DATE:



WWW.BIOCLEANENVIRONMENTAL.COM