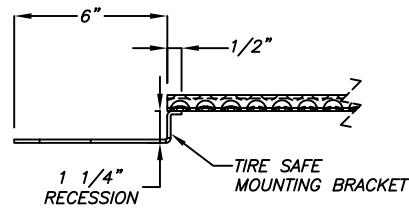
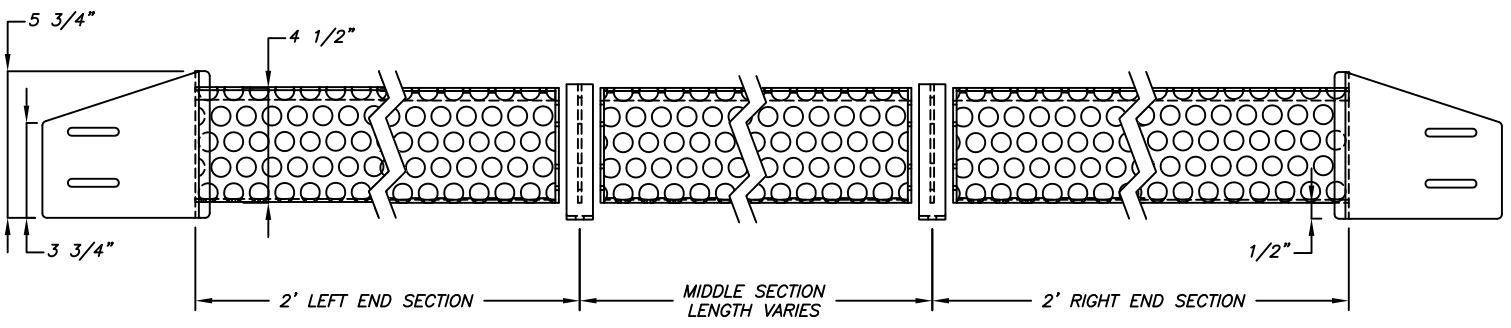
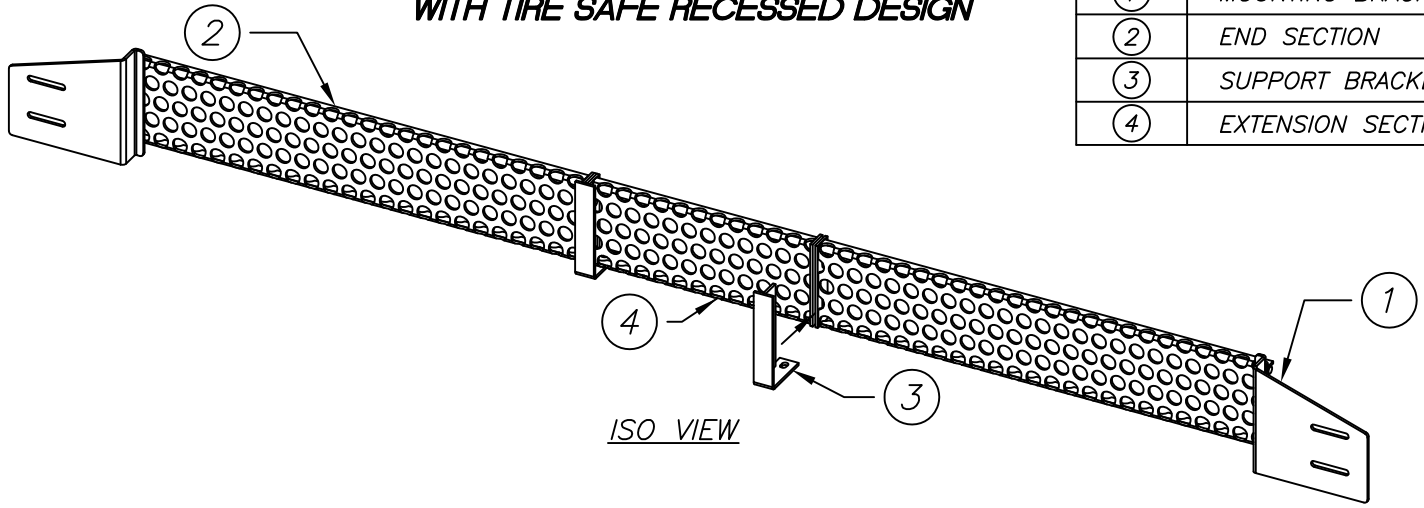


BIO CLEAN CURB GUARD WITH TIRE SAFE RECESSED DESIGN

| PART #: | DESCRIPTION: |
|---------|-------------------|
| ① | MOUNTING BRACKET |
| ② | END SECTION |
| ③ | SUPPORT BRACKET |
| ④ | EXTENSION SECTION |



TOP VIEW
END SECTION (TYP.)

SIZES

| MODEL | LENGTH | *FLOW RATE |
|----------|--------|------------|
| BC-CG-4 | 4' | 1.53 cfs |
| BC-CG-6 | 6' | 2.29 cfs |
| BC-CG-7 | 7' | 2.68 cfs |
| BC-CG-10 | 10' | 3.82 cfs |
| BC-CG-12 | 12' | 4.59 cfs |

NOTE: AVAILABLE IN ANY LENGTH AND VARIOUS HEIGHTS
*FLOW RATE BASED ON MANUFACTURER RECOMMENDED 50% CLOGGING FACTOR

NOTES:

- ALL HARDWARE, FLANGE, AND SCREENS SHALL BE TYPE 316 STAINLESS STEEL.
- SMALLER UNITS AVAILABLE FOR CURB OPENINGS LESS THAN 4'.
- FITS ANY CURB OPENING.
- SEE PERFORMANCE REPORTS IN MANUFACTURER'S SPECIFICATIONS.
- ALL SCREENS TO BE PERFORATED METAL, 11 GAUGE WITH 3/4" DIA HOLES ON 1" CENTER STAGGERED.
- 1 1/4" RECESSION IS STREET SWEEPER SAFE.
- MOUNTED USING STAINLESS STEEL MUSHROOM HEAD SPIKE ANCHOR.

FLOW RATE PER LINEAR FOOT

| CLOGGING FACTOR | 0% | 25% | *50% | 75% |
|-----------------|----------|----------|----------|----------|
| FLOW RATE | 0.76 CFS | 0.57 CFS | 0.38 CFS | 0.19 CFS |

FLOW RATE LISTED ASSUMES 0.5" GAP BETWEEN BOTTOM OF CURB GUARD AND BOTTOM OF CURB OPENING *MANUFACTURER RECOMMENDS USING 50% CLOGGING FACTOR

CURB GUARD SCREEN FLOW RATE CALCULATED USING THE FOLLOWING EQUATION

$$Q = 1.511 * L * (1 - CF) * H^{1.417}$$

L = CURB GUARD LENGTH (FT)
H = CURB GUARD HEIGHT*
*STANDARD HEIGHT = 0.375 FT

0.5" GAP FLOW RATE CALCULATED USING THE FOLLOWING EQUATION

$$Q = 0.67 * A * \sqrt{2g(d - 0.5h)}$$

A = CURB OPENING AREA (m²)
g = GRAVITATIONAL ACCELERATION (9.81 m/s²)
d = FLOW DEPTH AT CURB (m)
h = OPENING HEIGHT (m)

DRAWING: BIO CLEAN CURB GUARD

MODEL #: SEE TABLE ABOVE

PATENT PENDING

WARRANTY: 5 YEAR MANUFACTURERS

BIO CLEAN ENVIRONMENTAL SERVICES, INC.
PO BOX 869 OCEANSIDE, CA 92049
PHONE: 760-433-7640 FAX: 760-433-3176

PROJECT:

REVISIONS: DATE:

REVISIONS: DATE:

REVISIONS: DATE:

REVISIONS: DATE:

DATE: 1/24/14

SCALE: SF = NTS

DRAFTER: L.M.

UNITS = INCHES



WWW.BIOCLEANEENVIRONMENTAL.COM